

CE EMC Test Report



(Declaration of Conformity)
For
Electromagnetic Interference
Of

Product : Battery Charger

Model Number : VTE8000

Prepared for

Vapex Technology Limited

Room 1103, 11/F, Hang Seng Mongkok building, 677 Nathan Road,
Mongkok, Kowloon, Hongkong

Prepared by

NTEK Testing Technology Co., Ltd.

1/F, Building E, Fenda Science Park, Sanwei Community, Xixiang Street
Bao'an District, Shenzhen P.R. China

TEST RESULT CERTIFICATION

Applicant's name : Vapex Technology Limited
Address : Room 1103, 11/F, Hang Seng Mongkok building, 677 Nathan Road, Mongkok, Kowloon, Hongkong
Manufacture's Name : Ray Meida Electronic (Shenzhen) Company Limited
Address : 3F, 4th Building, Jinxu Industry Zone, Xitian, Gongming Town, Shenzhen, China

Product description

Product name : Battery Charger
Model and/or type reference : VTE8000
Rating(s) : Input: 10-18Vdc, 9W for battery charger
Input: 100-240Vac, 50/60Hz, 0.3A
Output: 18Vdc, 0.5A for external power supply

Standards : EN 55014-1:2006+A1:2009 +A2:2011
EN 55014-2:1997+A1:2001+A2:2008
EN 61000-3-2:2006+A1:2009+A2:2009
EN 61000-3-3:2008

This device described above has been tested by NTEK, and the test results show that the equipment under test (EUT) is in compliance with the 2004/108/EC requirements. And it is applicable only to the tested sample identified in the report.

This report shall not be reproduced except in full, without the written approval of NTEK, this document may be altered or revised by NTEK, personal only, and shall be noted in the revision of the document.

Date of Test :
Date (s) of performance of tests : 10 Sept 2013 ~22 Sept. 2013
Date of Issue : 22 Sept. 2013
Test Result : **Pass**

Testing Engineer : Apple Huang
(Apple Huang)

Technical Manager : Jim He
(Jim He)

Authorized Signatory : Bovey Yang
(Bovey Yang)



Table of Contents	Page
1 . TEST SUMMARY	6
1.1 TEST FACILITY	7
1.2 MEASUREMENT UNCERTAINTY	7
2 . GENERAL INFORMATION	8
2.1 GENERAL DESCRIPTION OF EUT	8
2.2 DESCRIPTION OF TEST MODES	9
2.3 DESCRIPTION OF TEST SETUP	10
2.4 DESCRIPTION TEST PERIPHERAL AND EUT PERIPHERAL	11
2.5 MEASUREMENT INSTRUMENTS LIST	12
3 . EMC EMISSION TEST	14
3.1 CONDUCTED EMISSION MEASUREMENT	14
3.1.1 POWER LINE CONDUCTED EMISSION	14
3.1.3 TEST PROCEDURE	15
3.1.4 TEST SETUP	15
3.1.5 EUT OPERATING CONDITIONS	15
3.1.6 TEST RESULTS	16
3.2 RADIATED EMISSION MEASUREMENT	18
3.2.1 LIMITS OF RADIATED EMISSION MEASUREMENT	18
3.2.2 LIMITS OF DISTURBANCE POWER MEASUREMENT	18
3.2.3 TEST PROCEDURE	18
3.2.4 TEST SETUP	19
3.2.5 EUT OPERATING CONDITIONS	19
3.2.6 TEST RESULTS(30MHz-1000MHz)	20
3.2.7 TEST RESULTS(30MHz ~300MHz)	21
3.3 HARMONICS CURRENT	22
3.3.1 LIMITS OF HARMONICS CURRENT	22
3.3.1.1 TEST PROCEDURE	23
3.3.1.2 EUT OPERATING CONDITIONS	23
3.3.1.3 TEST SETUP	23
3.3.2 TEST RESULTS	24
3.4 VOLTAGE FLUCTUATION AND FLICKERS	30
3.4.1 LIMITS OF VOLTAGE FLUCTUATION AND FLICKERS	30
3.4.1.1 TEST PROCEDURE	30
3.4.1.2 EUT OPERATING CONDITIONS	30
3.4.1.3 TEST SETUP	30
3.4.2 TEST RESULTS	31

Table of Contents	Page
4 . EMC IMMUNITY TEST	32
4.1 STANDARD COMPLIANCE/SERVIRTY LEVEL/CRITERIA	32
4.2 GENERAL PERFORMANCE CRITERIA	33
4.3 GENERAL PERFORMANCE CRITERIA TEST SETUP	33
4.4 ESD TESTING	34
4.4.1 TEST SPECIFICATION	34
4.4.2 TEST PROCEDURE	34
4.4.3 TEST SETUP	35
4.4.4 TEST RESULTS	36
4.5 RS TESTING	37
4.5.1 TEST SPECIFICATION	37
4.5.2 TEST PROCEDURE	37
4.5.3 TEST SETU	38
4.5.4 TEST RESULTS	39
4.6 EFT/BURST TESTING	40
4.6.1 TEST SPECIFICATION	40
4.6.2 TEST PROCEDURE	40
4.6.3 TEST SETUP	41
4.6.4 TEST RESULTS	42
4.7 SURGE TESTING	43
4.7.1 TEST SPECIFICATION	43
4.7.2 TEST PROCEDURE	43
4.7.3 TEST SETUP	44
4.7.4 TEST RESULTS	45
4.8 INJECTION CURRENT TESTING	46
4.8.1 TEST SPECIFICATION	46
4.8.2 TEST PROCEDURE	46
4.8.3 TEST SETUP	47
4.8.4 TEST RESULTS	48
4.9 POWER FREQUENCY MAGNETIC FIELD TESTING	49
4.9.1 TEST SPECIFICATION	49
4.9.2 TEST PROCEDURE	49
4.9.3 TEST SETUP	50
4.9.4 TEST RESULTS	51
4.10 VOLTAGE INTERRUPTION/DIPS TESTING	52
4.10.1 TEST SPECIFICATION	52
4.10.2 TEST PROCEDURE	52
4.10.3 TEST SETUP	52
4.10.4 TEST RESULTS	53

Table of Contents

Page

5 . EUT TEST PHOTO

54

ATTACHMENT PHOTOGRAPHS OF EUT

55

1. TEST SUMMARY

Test procedures according to the technical standards:

EMC Emission				
Standard	Test Item	Limit	Judgment	Remark
EN 55014-1:2006/A2:2011	Conducted Emission	Class B	PASS	
	Radiated Emission	Class B	PASS	
EN61000-3-2:2006/A2:2009	Harmonic Current Emission	Class A or D NOTE (2)	PASS	
EN 61000-3-3:2008	Voltage Fluctuations & Flicker	-----	PASS	
EMC Immunity				
Section	Test Item	Performance Criteria	Judgment	Remark
EN55014-2:1997+A1:2001+A2:2008				
EN 61000-4-2:2009	Electrostatic Discharge	B	PASS	
EN 61000-4-3:2006	RF electromagnetic field	A	PASS	
EN 61000-4-4:2004/A1:2010	Fast transients	B	PASS	
EN 61000-4-5:2006	Surges	B	PASS	
EN 61000-4-6:2007	Injected Current	A	PASS	
EN 61000-4-8:2009	Power Frequency Magnetic Field	A	PASS	
EN 61000-4-11:2004	Volt. Interruptions Volt. Dips	C / C / C NOTE (3)	PASS	

NOTE:

(1) "N/A" denotes test is not applicable in this Test Report

(2) Voltage dip: 0% reduction – Performance Criteria **C**

Voltage dip: 30% reduction – Performance Criteria **C**

Voltage dip: 60% reduction – Performance Criteria **C**

(3) For client's request and manual description, the test will not be executed.

1.1 TEST FACILITY

NTEK Testing Technology Co., Ltd

Add. : 1/F, Building E, Fenda Science Park, Sanwei Community, Xixiang Street, Bao'an District, Shenzhen P.R. China.

FCC FRN Registration Number:238937; IC Registration Number:9270A-1

1.2 MEASUREMENT UNCERTAINTY

The reported uncertainty of measurement $y \pm U$, where expanded uncertainty U is based on a standard uncertainty multiplied by a coverage factor of $k=2$, providing a level of confidence of approximately **95 %**.

A. Conducted Measurement :

Test Site	Method	Measurement Frequency Range	U , (dB)	NOTE
NTEKC01	ANSI	150 KHz ~ 30MHz	3.2	

B. Radiated Measurement :

Test Site	Method	Measurement Frequency Range	U , (dB)	NOTE
NTEKA01	ANSI	30MHz ~ 1000MHz	4.7	
		1GHz ~6000GHz	5.0	

2. GENERAL INFORMATION

2.1 GENERAL DESCRIPTION OF EUT

Equipment	Battery Charger				
Model Name.	VTE8000				
Serial No	N/A				
Model Difference	N/A				
Product Description	The EUT is a Battery Charger.				
	<table border="1"> <tr> <td>Operating frequency:</td> <td>4.191304MHz</td> </tr> <tr> <td>Connecting I/O port:</td> <td>N/A</td> </tr> </table>	Operating frequency:	4.191304MHz	Connecting I/O port:	N/A
	Operating frequency:	4.191304MHz			
Connecting I/O port:	N/A				
Based on the application, features, or specification exhibited in User's Manual, the EUT is considered as an ITE/Computing Device. More details of EUT technical specification, please refer to the User's Manual.					
Power Source	AC Voltage				
Power Rating	Input: 10-18Vdc, 9W for battery charger Input: 100-240Vac, 50/60Hz, 0.3A Output: 18Vdc, 0.5A for external power supply				

2.2 DESCRIPTION OF TEST MODES

To investigate the maximum EMI emission characteristics generated from EUT, the test system was pre-scanning tested based on the consideration of following EUT operation mode or test configuration mode which possibly have effect on EMI emission level. Each of these EUT operation mode(s) or test configuration mode(s) mentioned above was evaluated respectively.

Pretest Mode	Description
Mode 1	Running

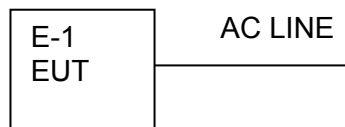
For Conducted Test	
Final Test Mode	Description
Mode 1	Running

For Radiated Test	
Final Test Mode	Description
Mode 1	Running

For EMS Test	
Final Test Mode	Description
Mode 1	Running

2.3 DESCRIPTION OF TEST SETUP

Mode 1:



2.4 DESCRIPTION TEST PERIPHERAL AND EUT PERIPHERAL

The EUT has been tested as an independent unit together with other necessary accessories or support units. The following support units or accessories were used to form a representative test configuration during the tests.

Item	Equipment	Mfr/Brand	Model/Type No.	Series No.	Note
E-1	Battery Charger	N/A	VTE8000	N/A	EUT

Item	Shielded Type	Ferrite Core	Length	Note

Note:

- (1) The support equipment was authorized by Declaration of Confirmation.
- (2) For detachable type I/O cable should be specified the length in cm in 『Length』 column.
- (3) “YES” is means “shielded” “with core”; “NO” is means “unshielded” “without core”.

2.5 MEASUREMENT INSTRUMENTS LIST

2.5.1 CONDUCTED TEST SITE

Item	Kind of Equipment	Manufacturer	Type No.	Serial No.	Calibrated until
1	LISN	R&S	ENV216	101313	Jul. 06. 2014
2	LISN	EMCO	3816/2	00042990	Jul. 06. 2014
3	50Ω Switch	ANRITSU CORP	MP59B	6200983704	Jul. 06. 2014
4	Test Cable	N/A	C01	N/A	Jul. 06. 2014
5	Test Cable	N/A	C02	N/A	Jul. 06. 2014
6	Test Cable	N/A	C03	N/A	Jul. 06. 2014
7	EMI Test Receiver	R&S	ESCI	101160	Jul. 06. 2014
8	Passive Voltage Probe	ESH2-Z3	R&S	100196	Jul. 06. 2014
9	Triple-Loop Antenna	EVERFINE	LIA-2	11020003	Jul. 06. 2014
10	Absorbing Clamp	R&S	MDS-21	100423	Jul. 08, 2014

2.5.2 RADIATED TEST SITE

Item	Kind of Equipment	Manufacturer	Type No.	Serial No.	Calibrated until
1	Bilog Antenna	TESEQ	CBL6111D	31216	Jul. 06. 2014
2	Test Cable	N/A	R-01	N/A	Jul. 06. 2014
3	Test Cable	N/A	R-02	N/A	Jul. 06. 2014
4	EMI Test Receiver	R&S	ESCI-7	101318	Jul. 06. 2014
5	Antenna Mast	EM	SC100_1	N/A	N/A
6	Turn Table	EM	SC100	060531	N/A
7	50Ω Switch	Anritsu Corp	MP59B	6200983705	Jul. 06. 2014
8	Spectrum Analyzer	Aglient	E4407B	MY45108040	Jul. 06. 2014
9	Horn Antenna	EM	EM-AH-1018 0	2011071402	Jul. 06. 2014
10	Amplifier	EM	EM-30180	060538	Jul. 06. 2014

2.5.3 HARMONICS AND FILCK

Item	Kind of Equipment	Manufacturer	Type No.	Serial No.	Calibrated until
1	Harmonic & Flicker	EM TEST	DPA500	0303-04	Jul. 06. 2014
2	AC Power Source	EM TEST	ACS500	0203-01	Jul. 06. 2014

2.5.4 ESD

Item	Kind of Equipment	Manufacturer	Type No.	Serial No.	Calibrated until
1	ESD TEST GENERATOR	EVERFINE	EMS61000-2 A-V200	11040001T	Jul. 06. 2014

2.5.5 RS

Item	Kind of Equipment	Manufacturer	Type No.	Serial No.	Calibrated until
1	Signal Generator	R&S	SMT 06	832080/007	Jul. 24, 2014
2	Log-Bicon Antenna	Schwarzbeck	VULB9161	4022	Aug. 15, 2014

3	Power Amplifier	AR	150W1000M1	320946	Aug. 23, 2014
4	Microwave Horn Antenna	AR	AT4002A	321467	Jun. 11, 2014
5	Power Amplifier	AR	25S1G4A	308598	Aug. 23, 2014

2.5.6 SURGE, EFT/BURST, VOLTAGE INTERRUPTION/DIPS

Item	Kind of Equipment	Manufacturer	Type No.	Serial No.	Calibrated until
1	Surge Generator	EVERFINE	EMS61000-5 A	1101002	Jul. 06. 2014
2	DIPS Generator	EVERFINE	EMS61000-1 1K	1011002	Jul. 06. 2014
	EFT/B Generator	EVERFINE	EMS61000-4 A-V2	1012005	Aug. 23, 2014

2.5.7 INJECTION CURRENT

Item	Kind of Equipment	Manufacturer	Type No.	Serial No.	Calibrated until
1	Signal Generator	IFR	2023A	202301/368	Mar. 31, 2014
2	Power Amplifier	AR	75A250AM1	0320709	Aug. 23, 2014
3	CDN	FCC	FCC-801-M2	06043	Jun. 02, 2014
4	EM Clamp	FCC	F-203I-23MM	504	Jun. 09, 2014

2.4.8 MF

Item	Kind of Equipment	Manufacturer	Type No.	Serial No.	Calibrated until
1	Generator	EVERFINE	EMS61000-8 K	1007001	Jul. 06. 2014

3. EMC EMISSION TEST

3.1 CONDUCTED EMISSION MEASUREMENT

3.1.1 POWER LINE CONDUCTED EMISSION (Frequency Range 150KHz-30MHz)

Frequency Range (MHz)	At mains terminals		At load terminals and additional terminals	
	Quasi-peak (dBuV)	Average (dBuV)	Quasi-peak (dBuV)	Average (dBuV)
0.15 -0.5	66 - 56 *	56 - 46 *	80.00	70.00
0.50 -5.0	56.00	46.00	74.00	64.00
5.0 -30.0	60.00	50.00	74.00	64.00

3.1.2 MAINS TERMINALS OF TOOLS

Frequency Range (MHz)	Rated motor power not exceeding 700W		Rated motor power above 700W and not exceeding 1 000 W		Rated motor power above 1 000 W	
	dB (uV) Quasi-peak	dB (uV) Average**	dB (uV) Quasi-peak	dB (uV) Average**	dB (uV) Quasi-peak	dB (uV) Average**
0.15 -0.5	66.0 to 59.0*	59.0 to 49.0*	70.0 to 63.0*	63.0 to 53.0*	76.0 to 69.0*	69.0 to 59.0*
0.50 -5.0	59.0	49.0	63.0	53.0	69.0	59.0
5.0 -30.0	64.0	54.0	68.0	58.0	74.0	64.0

Note:

- (1) The tighter limit applies at the band edges.
- (2) The limit of " * " marked band means the limitation decreases linearly with the logarithm of the frequency in the range.
- (3) "****" If the limit for the measurement with the average detector is met when using a receiver with a quasi-peak detector, the equipment under test shall be deemed to meet both limits and the measurement using the receiver with an average detector need not be carried out.

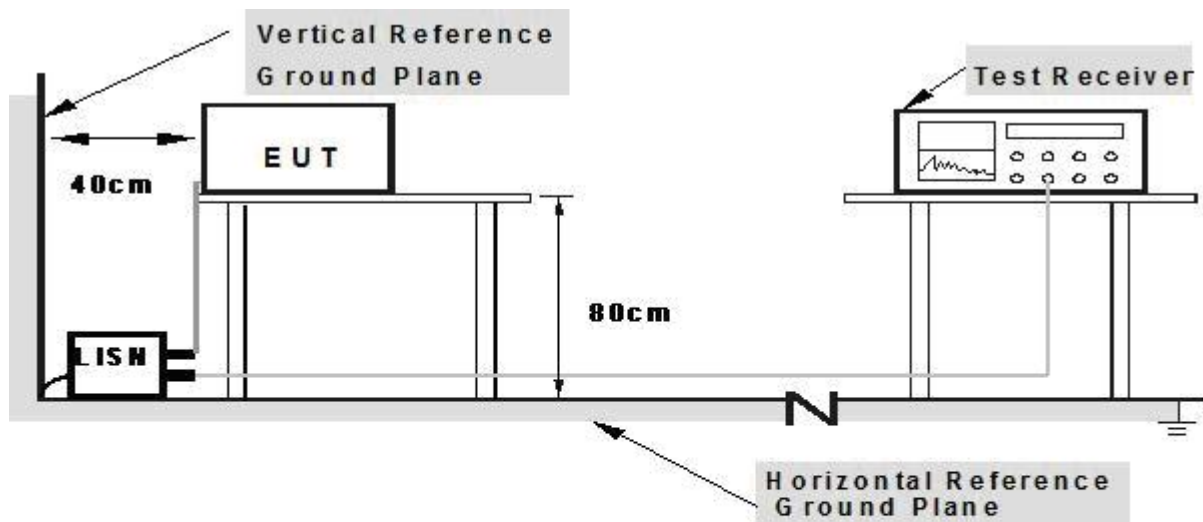
The following table is the setting of the receiver

Receiver Parameters	Setting
Attenuation	10 dB
Start Frequency	0.15 MHz
Stop Frequency	30 MHz
IF Bandwidth	9 kHz

3.1.3 TEST PROCEDURE

- a. The EUT was placed 0.4 meters from the horizontal ground plane with EUT being connected to the power mains through a line impedance stabilization network (LISN). All other support equipments powered from additional LISN(s). The LISN provide 50 Ohm/ 50uH of coupling impedance for the measuring instrument.
- b. Interconnecting cables that hang closer than 40 cm to the ground plane shall be folded back and forth in the center forming a bundle 30 to 40 cm long.
- c. I/O cables that are not connected to a peripheral shall be bundled in the center. The end of the cable may be terminated, if required, using the correct terminating impedance. The overall length shall not exceed 1 m.
- d. LISN at least 80 cm from nearest part of EUT chassis.
- e. For the actual test configuration, please refer to the related Item –EUT Test Photos.

3.1.4 TEST SETUP



- Note: 1. Support units were connected to second LISN.**
2. Both of LISNs (AMN) are 80 cm from EUT and at least 80 from other units and other metal planes

3.1.5 EUT OPERATING CONDITIONS

The EUT tested system was configured as the statements of 2.3 Unless otherwise a special operating condition is specified in the follows during the testing.

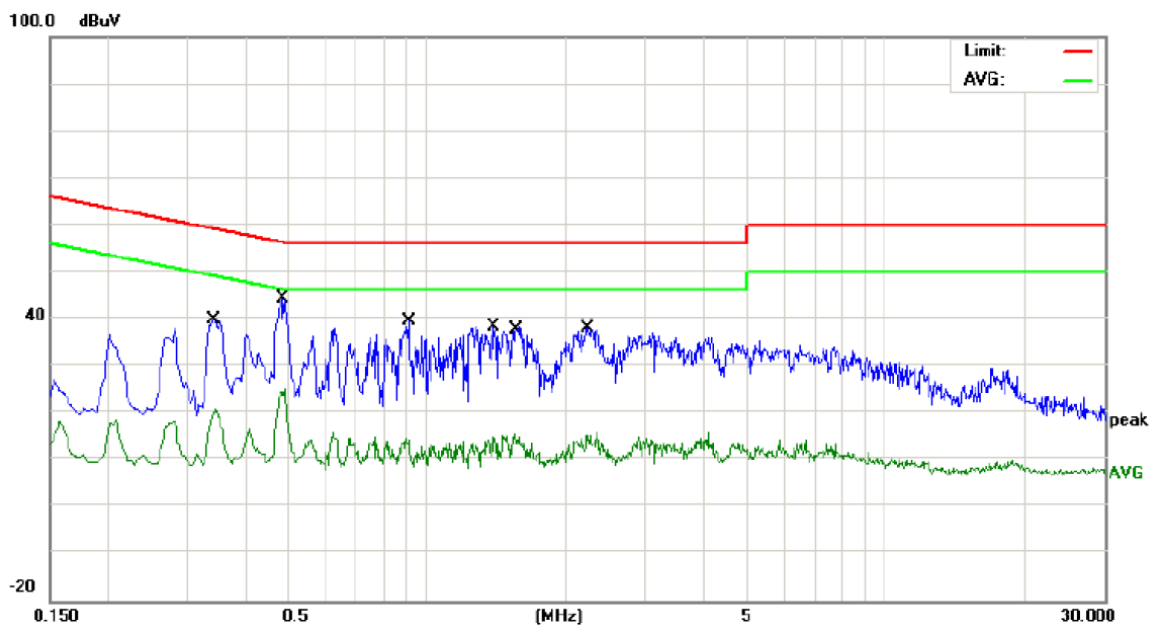
3.1.6 TEST RESULTS

EUT :	Battery Charger	Model Name. :	VTE8000
Temperature :	26 °C	Relative Humidity :	54%
Pressure :	1010hPa	Test Date :	2013-08-15
Test Mode :	Running	Phase :	L
Test Voltage :	AC 230V/50Hz		

No.	Mk.	Freq. MHz	Reading Level dBuV	Correct Factor dB	Measure- ment dBuV	Limit dBuV	Over dB	Detector
1		0.3420	28.88	10.85	39.73	59.15	-19.42	QP
2		0.3420	10.07	10.85	20.92	49.15	-28.23	AVG
3	*	0.4819	33.89	10.60	44.49	56.31	-11.82	QP
4		0.4819	14.42	10.60	25.02	46.31	-21.29	AVG
5		0.9020	29.08	10.53	39.61	56.00	-16.39	QP
6		0.9020	4.00	10.53	14.53	46.00	-31.47	AVG
7		1.4019	27.70	10.52	38.22	56.00	-17.78	QP
8		1.4019	4.74	10.52	15.26	46.00	-30.74	AVG
9		1.5540	27.78	10.52	38.30	56.00	-17.70	QP
10		1.5540	5.17	10.52	15.69	46.00	-30.31	AVG
11		2.2459	27.50	10.53	38.03	56.00	-17.97	QP
12		2.2459	4.66	10.53	15.19	46.00	-30.81	AVG

Remark:

1. All readings are Quasi-Peak and Average values.
2. Factor = Insertion Loss + Cable Loss.
3. N/A means All Data have pass Limit

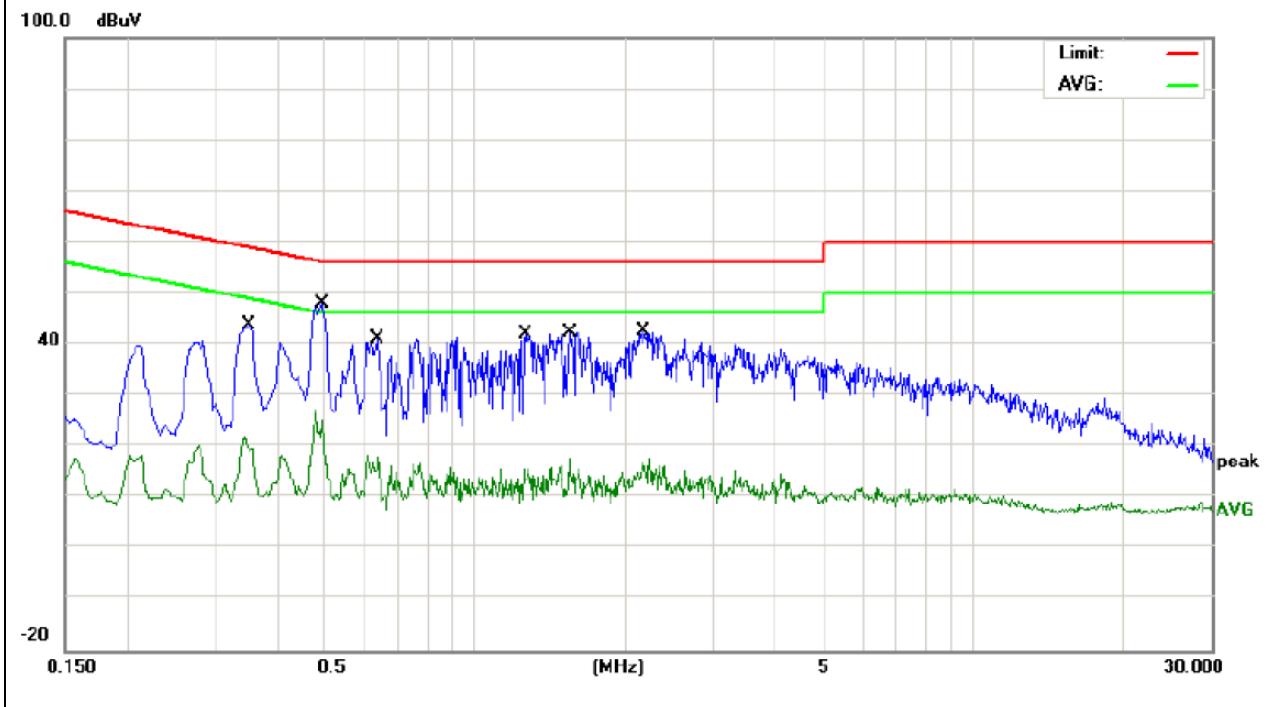


EUT :	Battery Charger	Model Name. :	VTE8000
Temperature :	26 °C	Relative Humidity :	54%
Pressure :	1010hPa	Test Date :	2013-08-15
Test Mode :	Running	Phase :	N
Test Voltage :	AC 230V/50Hz		

No. Mk.	Freq. MHz	Reading Level dBuV	Correct Factor dB	Measurement dBuV	Limit dBuV	Over dB	Detector
1	0.3463	32.97	10.84	43.81	59.05	-15.24	QP
2	0.3463	10.80	10.84	21.64	49.05	-27.41	AVG
3 *	0.4939	37.34	10.58	47.92	56.10	-8.18	QP
4	0.4939	14.54	10.58	25.12	46.10	-20.98	AVG
5	0.6340	30.38	10.54	40.92	56.00	-15.08	QP
6	0.6340	7.31	10.54	17.85	46.00	-28.15	AVG
7	1.2500	31.31	10.52	41.83	56.00	-14.17	QP
8	1.2500	4.94	10.52	15.46	46.00	-30.54	AVG
9	1.5500	31.82	10.52	42.34	56.00	-13.66	QP
10	1.5500	7.22	10.52	17.74	46.00	-28.26	AVG
11	2.1859	31.95	10.53	42.48	56.00	-13.52	QP
12	2.1859	7.16	10.53	17.69	46.00	-28.31	AVG

Remark:

1. All readings are Quasi-Peak and Average values.
2. Factor = Insertion Loss + Cable Loss.
3. N/A means All Data have pass Limit



3.2 RADIATED EMISSION MEASUREMENT

3.2.1 LIMITS OF RADIATED EMISSION MEASUREMENT (Below 1000MHz)

FREQUENCY (MHz)	At 10m	At 3m
	dBuV/m	dBuV/m
30 – 230	30	40
230 – 1000	37	47

3.2.2 LIMITS OF DISTURBANCE POWER MEASUREMENT (Below 1000MHz)

Frequency Range (MHz)	Household and similar appliances		Tools					
	dB (pW) Quasi-peak	dB (pW) Averag*	Rated motor power not exceeding 700 W		Rated motor power above 700 W and not exceeding 1 000 W		Rated motor power above 1 000 W	
(MHz)	dB (pW) Quasi-peak	dB (pW) Averag*	dB (pW) Quasi-peak	dB (pW) Averag*	dB (pW) Quasi-peak	dB (pW) Averag*	dB (pW) Quasi-peak	dB (pW) Average*
30-300	44-55	35-45	44-55	35-45	49-59	39-49	55-65	45-55

* If the limit for the measurement with the average detector is met when using a receiver with a quasi-peak detector, the equipment under test shall be deemed to meet both limits and the measurement using the receiver with an average detector need not be carried out.

Notes:

- (1) The limit for radiated test was performed according to as following: CISPR 14.
- (2) The tighter limit applies at the band edges.
- (3) Emission level (dBuV/m)=20log Emission level (uV/m).

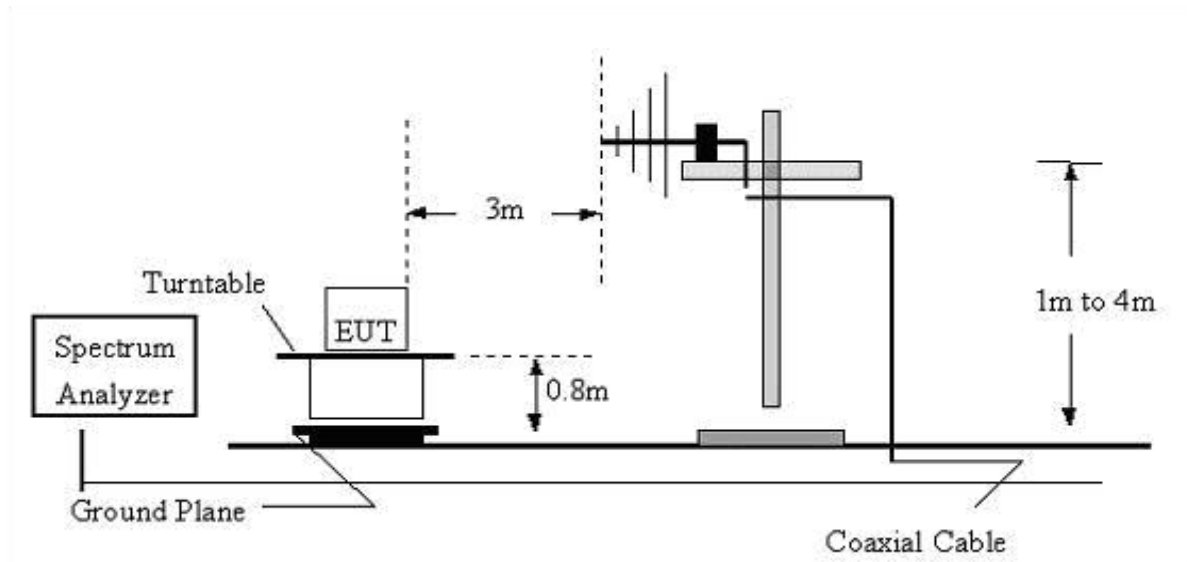
3.2.3 TEST PROCEDURE

- a. The measuring distance of at 10 m shall be used for measurements at frequency up to 1GHz. For frequencies above 1GHz, any suitable measuring distance may be used.
- b. The EUT was placed on the top of a rotating table 0.8 meters above the ground at a 10 meter open area test site. The table was rotated 360 degrees to determine the position of the highest radiation.
- c. The height of the equipment or of the substitution antenna shall be 0.8 m; the height of the test antenna shall vary between 1 m to 4 m. Both horizontal and vertical polarizations of the antenna are set to make the measurement.
- d. The initial step in collecting conducted emission data is a spectrum analyzer peak detector mode pre-scanning the measurement frequency range. Significant peaks are then marked and then Quasi Peak detector mode re-measured, above 1G Average detector mode will be instead.

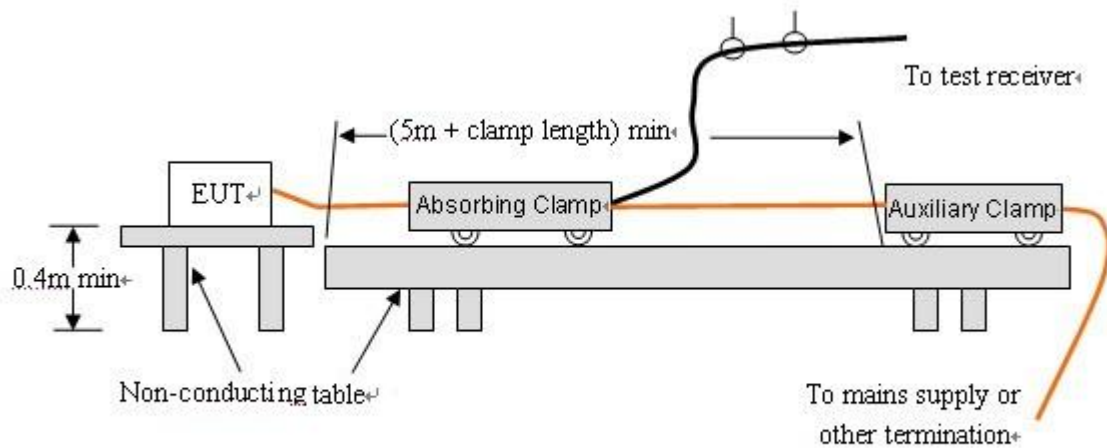
- e. If the Peak Mode measured value compliance with and lower than Quasi Peak Mode Limit, the EUT shall be deemed to meet QP(AV) Limits and then no additional QP Mode measurement performed.
- f. For the actual test configuration, please refer to the related Item –EUT Test Photos.

3.2.4 TEST SETUP

(A) Radiated Emission Test Set-Up Frequency Below 1 GHz



(B) Disturbance Power Test Set-UP Frequency Below 1GHz



3.2.5 EUT OPERATING CONDITIONS

The EUT tested system was configured as the statements of **2.3** Unless otherwise a special operating condition is specified in the follows during the testing.

3.2.6 TEST RESULTS(30MHz-1000MHz)

EUT :	Battery Charger	Model Name :	VTE8000
Temperature :	24 °C	Relative Humidity :	54%
Pressure :	1010 hPa	Test Date :	N/A
Test Mode :	N/A	Polarization :	N/A
Test Power :	N/A		

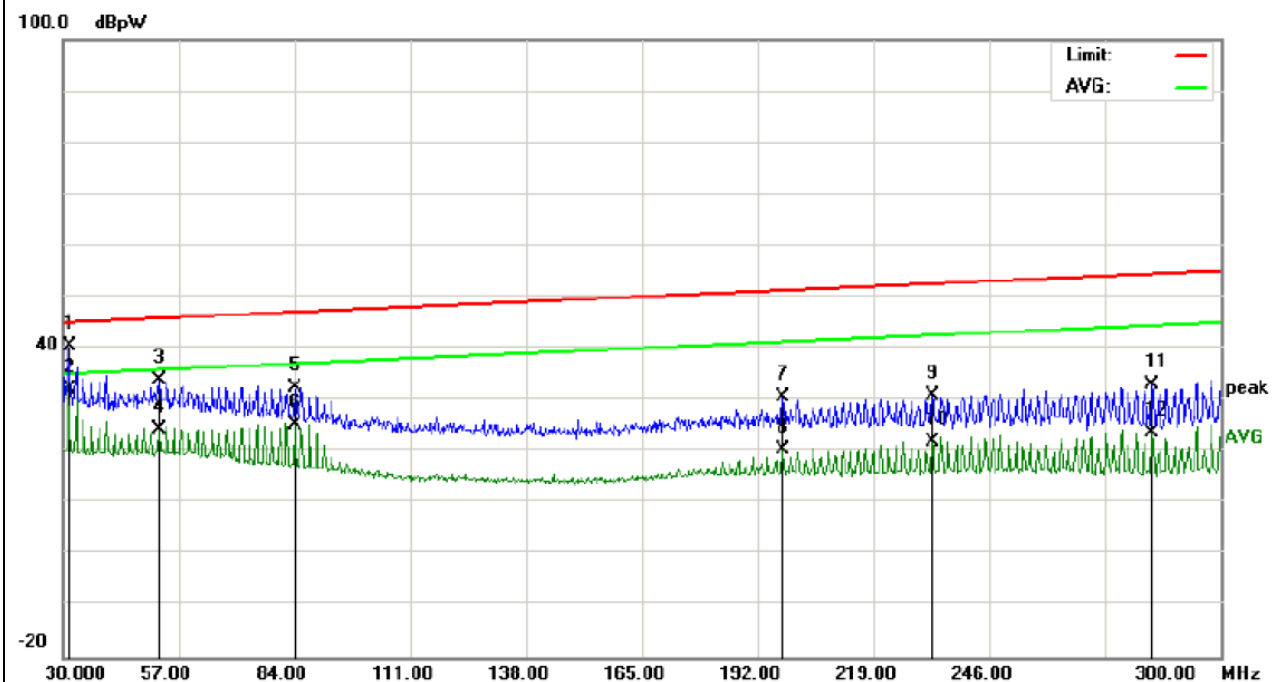
3.2.7 TEST RESULTS(30MHz ~300MHz)

EUT :	Battery Charger	Model Name :	VTE8000
Temperature :	24 °C	Relative Humidity :	54%
Pressure :	1010 hPa	Test Date :	2013-08-15
Test Mode :	Running		
Test Power :	AC 230V/50Hz		

No.	Mk.	Freq. MHz	Reading Level dBpW	Correct Factor dB	Measure- ment dBpW	Limit dBpW	Over dB	Detector
1		31.5596	11.89	28.48	40.37	45.06	-4.69	QP
2	*	31.5596	3.43	28.48	31.91	35.06	-3.15	AVG
3		52.5998	5.29	28.46	33.75	45.84	-12.09	QP
4		52.5998	-4.31	28.46	24.15	35.84	-11.69	AVG
5		84.1598	6.06	26.25	32.31	47.01	-14.70	QP
6		84.1598	-1.01	26.25	25.24	37.01	-11.77	AVG
7		198.1596	5.61	25.04	30.65	51.23	-20.58	QP
8		198.1596	-4.67	25.04	20.37	41.23	-20.86	AVG
9		232.9996	5.60	25.37	30.97	52.52	-21.55	QP
10		232.9996	-3.64	25.37	21.73	42.52	-20.79	AVG
11		284.2798	8.25	24.83	33.08	54.42	-21.34	QP
12		284.2798	-1.31	24.83	23.52	44.42	-20.90	AVG

Remark:

1. All readings are Quasi-Peak and Average values.
2. Factor = Antenna Factor + Cable Loss - Amplifier.
3. N/A means All Data have pass Limit



3.3 HARMONICS CURRENT

3.3.1 LIMITS OF HARMONICS CURRENT

IEC 555-2					
Table - I			Table - II		
Equipment Category	Harmonic Order n	Max. Permissible Harmonic Current (in Amperes)	Equipment Category	Harmonic Order n	Max. Permissible Harmonic Current (in Amperes)
Non Portable Tools or TV Receivers	Odd Harmonics		TV Receivers	Odd Harmonics	
	3	2.30		3	0.80
	5	1.14		5	0.60
	7	0.77		7	0.45
	9	0.40		9	0.30
	11	0.33		11	0.17
	13	0.21		13	0.12
	15 ≤ n ≤ 39	0.15 · 15/n		15 ≤ n ≤ 39	0.10 · 15/n
	Even Harmonics			Even Harmonics	
	2	1.08		2	0.30
	4	0.43		4	0.15
	8	0.30			
8 ≤ n ≤ 40	0.23 · 8/n	DC	0.05		

EN 61000-3-2/IEC 61000-3-2					
Equipment Category	Max. Permissible Harmonic Current (in Amperes)	Equipment Category	Harmonic Order n	Max. Permissible Harmonic Current (in A)	Max. Permissible Harmonic Current (mA/w)
Class A	Same as Limits Specified in 4-2.1, Table - I, but only odd harmonics required	Class D	3	2.30	3.4
			5	1.14	1.9
			7	0.77	1.0
			9	0.40	0.5
			11	0.33	0.35
			13 ≤ n ≤ 39	see Table I	3.85/n

3.3.1.1 TEST PROCEDURE

a. The EUT was placed on the top of a wooden table 0.8 meters above the ground and operated to produce the maximum harmonic components under normal operating conditions.

b. The classification of EUT is according to section 5 of EN 61000-3-2. The EUT is classified as follows:

Class A: Balanced three-phase equipment, Household appliances excluding equipment as Class D, Tools excluding portable tools, Dimmers for incandescent lamps, audio equipment, equipment not specified in one of the three other classes.

Class B: Portable tools. Portable tools.; Arc welding equipment which is not professional equipment.

Class C: Lighting equipment.

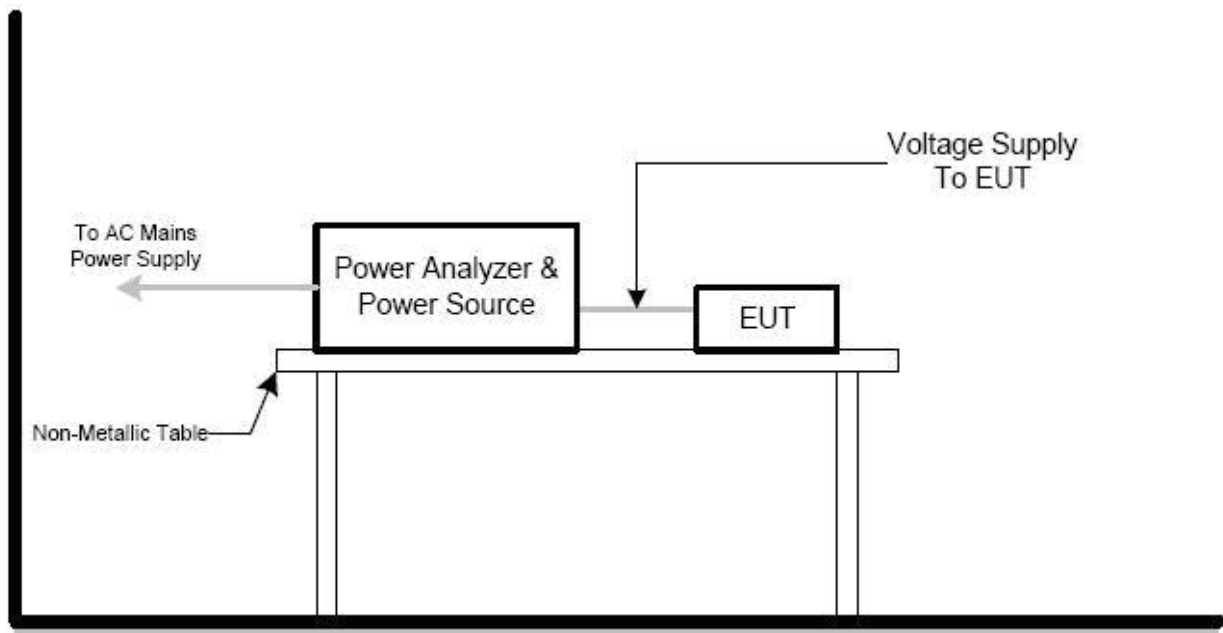
Class D: Equipment having a specified power less than or equal to 600 W of the following types: Personal computers and personal computer monitors and television receivers.

c. The correspondent test program of test instrument to measure the current harmonics emanated from EUT is chosen. The measure time shall be not less than the time necessary for the EUT to be exercised.

3.3.1.2 EUT OPERATING CONDITIONS

The EUT tested system was configured as the statements of 2.3 Unless otherwise a special operating condition is specified in the follows during the testing.

3.3.1.3 TEST SETUP



3.3.2 TEST RESULTS

EUT :	Battery Charger	Model Name :	VTE8000
Temperature :	25 °C	Relative Humidity :	45%
Pressure :	1010 hPa	Test Date :	2013-08-15
Test Mode :	Running		
Test Power :	AC 230V/50Hz		

E. U. T. Result

Harmonic(s) > 200%:	
Order (n):	None
Harmonic(s) with average > 90%:	
Order (n):	None
Harmonic(s) between 150% and 200% during more than 10% of the test time or max. 10min:	
Order (n):	None

Power Source Result

First dataset out of limit:	
DS (time):	None
Harmonic(s) out of limit:	
Order (n):	None

Average harmonic current results

Hn	I _{eff} [A]	I _{eff} [%]	Limit [A]	Result
1	66.022E-3	100.000		
2	726.650E-6	1.101	972.00E-3	PASS
3	63.173E-3	95.685	2.07	PASS
4	3.472E-3	5.259	387.00E-3	PASS
5	57.162E-3	86.581	1.03	PASS
6	791.957E-6	1.200	270.00E-3	PASS
7	48.830E-3	73.960	693.00E-3	PASS
8	1.654E-3	2.505	207.00E-3	PASS
9	39.379E-3	59.645	360.00E-3	PASS
10	1.706E-3	2.585	165.60E-3	PASS
11	29.584E-3	44.810	297.00E-3	PASS
12	666.596E-6	1.010	138.00E-3	PASS
13	20.470E-3	31.005	189.00E-3	PASS
14	1.273E-3	1.929	118.29E-3	PASS
15	13.113E-3	19.861	135.00E-3	PASS
16	679.691E-6	1.029	103.50E-3	PASS
17	8.680E-3	13.147	119.11E-3	PASS
18	1.208E-3	1.829	92.00E-3	PASS
19	7.492E-3	11.347	106.58E-3	PASS
20	671.591E-6	1.017	82.80E-3	PASS
21	7.801E-3	11.816	96.43E-3	PASS
22	807.475E-6	1.223	75.28E-3	PASS
23	7.732E-3	11.712	88.05E-3	PASS
24	661.189E-6	1.001	68.99E-3	PASS
25	6.765E-3	10.246	81.00E-3	PASS
26	691.439E-6	1.047	63.69E-3	PASS
27	5.439E-3	8.238	75.00E-3	PASS
28	706.559E-6	1.070	59.14E-3	PASS
29	3.884E-3	5.883	69.83E-3	PASS
30	665.931E-6	1.009	55.20E-3	PASS
31	3.084E-3	4.671	65.32E-3	PASS
32	1.197E-3	1.813	51.75E-3	PASS
33	2.992E-3	4.532	61.36E-3	PASS
34	634.938E-6	0.962	48.71E-3	PASS
35	3.151E-3	4.772	57.86E-3	PASS
36	1.067E-3	1.617	46.00E-3	PASS
37	3.119E-3	4.724	54.73E-3	PASS
38	615.534E-6	0.932	43.58E-3	PASS
39	2.763E-3	4.186	51.92E-3	PASS
40	735.194E-6	1.114	41.40E-3	PASS

Maximum harmonic current results

Hn	I _{eff} [A]	I _{eff} [%]	Limit [A]	Result
1	66.231E-3	100.000		
2	882.496E-6	1.332	2.16	PASS
3	63.594E-3	96.019	4.60	PASS
4	3.867E-3	5.839	860.00E-3	PASS
5	57.492E-3	86.805	2.28	PASS
6	1.011E-3	1.527	600.00E-3	PASS
7	49.088E-3	74.117	1.54	PASS
8	1.851E-3	2.795	460.00E-3	PASS
9	40.390E-3	60.984	800.00E-3	PASS
10	1.925E-3	2.906	368.00E-3	PASS
11	30.044E-3	45.362	660.00E-3	PASS
12	761.037E-6	1.149	306.66E-3	PASS
13	20.859E-3	31.494	420.00E-3	PASS
14	1.497E-3	2.261	262.86E-3	PASS
15	13.469E-3	20.337	300.00E-3	PASS
16	803.771E-6	1.214	230.00E-3	PASS
17	9.163E-3	13.835	264.70E-3	PASS
18	1.337E-3	2.018	204.44E-3	PASS
19	7.755E-3	11.709	236.84E-3	PASS
20	747.904E-6	1.129	184.00E-3	PASS
21	7.945E-3	11.995	214.28E-3	PASS
22	1.152E-3	1.739	167.28E-3	PASS
23	7.855E-3	11.860	195.66E-3	PASS
24	754.175E-6	1.139	153.32E-3	PASS
25	6.880E-3	10.387	180.00E-3	PASS
26	824.266E-6	1.245	141.54E-3	PASS
27	5.859E-3	8.846	166.66E-3	PASS
28	791.233E-6	1.195	131.42E-3	PASS
29	4.014E-3	6.061	155.18E-3	PASS
30	793.274E-6	1.198	122.66E-3	PASS
31	3.217E-3	4.857	145.16E-3	PASS
32	1.408E-3	2.126	115.00E-3	PASS
33	3.113E-3	4.701	136.36E-3	PASS
34	719.144E-6	1.086	108.24E-3	PASS
35	3.280E-3	4.952	128.58E-3	PASS
36	1.209E-3	1.825	102.22E-3	PASS
37	3.259E-3	4.920	121.62E-3	PASS
38	684.936E-6	1.034	96.84E-3	PASS
39	2.907E-3	4.389	115.38E-3	PASS
40	1.075E-3	1.624	92.00E-3	PASS

Maximum harmonic voltage results

Hn	Ueff [V]	Ueff [%]	Limit [%]	Result
1	231.29	100.560		
2	68.54E-3	0.030	0.2	PASS
3	168.17E-3	0.073	0.9	PASS
4	15.97E-3	0.007	0.2	PASS
5	51.91E-3	0.023	0.4	PASS
6	12.27E-3	0.005	0.2	PASS
7	77.26E-3	0.034	0.3	PASS
8	12.31E-3	0.005	0.2	PASS
9	69.44E-3	0.030	0.2	PASS
10	11.62E-3	0.005	0.2	PASS
11	64.55E-3	0.028	0.1	PASS
12	11.08E-3	0.005	0.1	PASS
13	23.83E-3	0.010	0.1	PASS
14	11.61E-3	0.005	0.1	PASS
15	47.52E-3	0.021	0.1	PASS
16	10.86E-3	0.005	0.1	PASS
17	20.43E-3	0.009	0.1	PASS
18	12.28E-3	0.005	0.1	PASS
19	40.44E-3	0.018	0.1	PASS
20	9.90E-3	0.004	0.1	PASS
21	23.54E-3	0.010	0.1	PASS
22	10.36E-3	0.005	0.1	PASS
23	45.52E-3	0.020	0.1	PASS
24	13.24E-3	0.006	0.1	PASS
25	16.37E-3	0.007	0.1	PASS
26	13.75E-3	0.006	0.1	PASS
27	28.03E-3	0.012	0.1	PASS
28	10.75E-3	0.005	0.1	PASS
29	26.27E-3	0.011	0.1	PASS
30	11.87E-3	0.005	0.1	PASS
31	32.49E-3	0.014	0.1	PASS
32	13.29E-3	0.006	0.1	PASS
33	21.98E-3	0.010	0.1	PASS
34	9.78E-3	0.004	0.1	PASS
35	21.69E-3	0.009	0.1	PASS
36	8.66E-3	0.004	0.1	PASS
37	17.77E-3	0.008	0.1	PASS
38	11.92E-3	0.005	0.1	PASS
39	30.67E-3	0.013	0.1	PASS
40	9.73E-3	0.004	0.1	PASS

Harmonic current results - DS: 12

Hn	I _{eff} [A]	I _{eff} [%]	Limit [A]	Result
1	66.011E-3	100.000		
2	843.874E-6	1.278	1.08	PASS
3	63.317E-3	95.918	2.30	PASS
4	3.047E-3	4.616	430.00E-3	PASS
5	57.170E-3	86.606	1.14	PASS
6	912.228E-6	1.382	300.00E-3	PASS
7	48.797E-3	73.922	770.00E-3	PASS
8	1.481E-3	2.244	230.00E-3	PASS
9	39.326E-3	59.574	400.00E-3	PASS
10	1.468E-3	2.224	184.00E-3	PASS
11	29.580E-3	44.810	330.00E-3	PASS
12	683.521E-6	1.035	153.33E-3	PASS
13	20.412E-3	30.922	210.00E-3	PASS
14	1.286E-3	1.949	131.43E-3	PASS
15	13.073E-3	19.804	150.00E-3	PASS
16	671.361E-6	1.017	115.00E-3	PASS
17	8.588E-3	13.009	132.35E-3	PASS
18	1.214E-3	1.839	102.22E-3	PASS
19	7.416E-3	11.235	118.42E-3	PASS
20	733.007E-6	1.110	92.00E-3	PASS
21	7.765E-3	11.763	107.14E-3	PASS
22	768.464E-6	1.164	83.64E-3	PASS
23	7.759E-3	11.753	97.83E-3	PASS
24	701.318E-6	1.062	76.66E-3	PASS
25	6.773E-3	10.260	90.00E-3	PASS
26	740.951E-6	1.122	70.77E-3	PASS
27	5.351E-3	8.106	83.33E-3	PASS
28	746.404E-6	1.131	65.71E-3	PASS
29	3.829E-3	5.801	77.59E-3	PASS
30	648.319E-6	0.982	61.33E-3	PASS
31	2.962E-3	4.487	72.58E-3	PASS
32	1.097E-3	1.663	57.50E-3	PASS
33	2.924E-3	4.429	68.18E-3	PASS
34	647.284E-6	0.981	54.12E-3	PASS
35	3.166E-3	4.795	64.29E-3	PASS
36	1.030E-3	1.560	51.11E-3	PASS
37	3.053E-3	4.626	60.81E-3	PASS
38	615.134E-6	0.932	48.42E-3	PASS
39	2.731E-3	4.138	57.69E-3	PASS
40	647.910E-6	0.982	46.00E-3	PASS

Caution: Results related to the 100% limit values

Harmonic voltage results - DS: 12

Hn	Ueff [V]	Ueff [%]	Limit [%]	Result
1	231.27	100.550		
2	60.54E-3	0.026	0.2	PASS
3	132.39E-3	0.058	0.9	PASS
4	12.31E-3	0.005	0.2	PASS
5	30.71E-3	0.013	0.4	PASS
6	10.31E-3	0.004	0.2	PASS
7	69.81E-3	0.030	0.3	PASS
8	6.25E-3	0.003	0.2	PASS
9	60.55E-3	0.026	0.2	PASS
10	1.41E-3	0.001	0.2	PASS
11	58.59E-3	0.025	0.1	PASS
12	6.61E-3	0.003	0.1	PASS
13	13.22E-3	0.006	0.1	PASS
14	7.11E-3	0.003	0.1	PASS
15	45.18E-3	0.020	0.1	PASS
16	6.28E-3	0.003	0.1	PASS
17	13.26E-3	0.006	0.1	PASS
18	3.49E-3	0.002	0.1	PASS
19	32.26E-3	0.014	0.1	PASS
20	5.73E-3	0.002	0.1	PASS
21	15.99E-3	0.007	0.1	PASS
22	2.91E-3	0.001	0.1	PASS
23	40.01E-3	0.017	0.1	PASS
24	7.06E-3	0.003	0.1	PASS
25	11.17E-3	0.005	0.1	PASS
26	1.01E-3	0.000	0.1	PASS
27	18.04E-3	0.008	0.1	PASS
28	6.39E-3	0.003	0.1	PASS
29	19.13E-3	0.008	0.1	PASS
30	5.94E-3	0.003	0.1	PASS
31	28.46E-3	0.012	0.1	PASS
32	4.51E-3	0.002	0.1	PASS
33	20.89E-3	0.009	0.1	PASS
34	2.46E-3	0.001	0.1	PASS
35	15.95E-3	0.007	0.1	PASS
36	2.79E-3	0.001	0.1	PASS
37	9.95E-3	0.004	0.1	PASS
38	1.76E-3	0.001	0.1	PASS
39	29.34E-3	0.013	0.1	PASS
40	2.32E-3	0.001	0.1	PASS

3.4 VOLTAGE FLUCTUATION AND FLICKERS

3.4.1 LIMITS OF VOLTAGE FLUCTUATION AND FLICKERS

Tests	Limits		Descriptions
	IEC555-3	IEC/EN 61000-3-3	
Pst	≤ 1.0, Tp= 10 min.	≤ 1.0, Tp= 10 min.	Short Term Flicker Indicator
Plt	N/A	≤ 0.65, Tp=2 hr.	Long Term Flicker Indicator
dc	≤ 3%	≤ 3.3%	Relative Steady-State V-Chang
dmax	≤ 4%	≤ 4%	Maximum Relative V-change
d (t)	N/A	≤ 3.3% for > 500 ms	Relative V-change characteristic

3.4.1.1 TEST PROCEDURE

a. Harmonic Current Test:

Test was performed according to the procedures specified in Clause 5.0 of IEC555-2 and/or Sub-clause 6.2 of IEC/EN 61000-3-2 depend on which standard adopted for compliance measurement.

b. Fluctuation and Flickers Test:

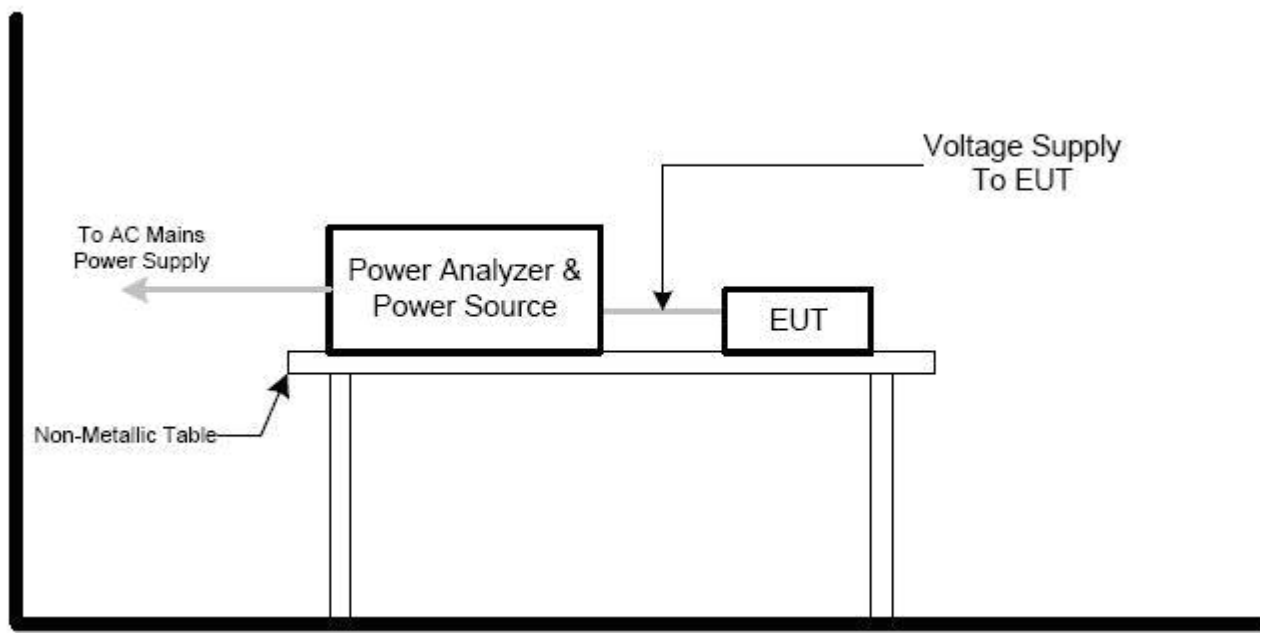
Tests was performed according to the Test Conditions/Assessment of Voltage Fluctuations specified in Clause 5.0/6.0 of IEC555-3 and/or Clause 6.0/4.0 of IEC/EN 61000-3-3 depend on which standard adopted for compliance measurement.

c. All types of harmonic current and/or voltage fluctuation in this report are assessed by direct measurement using flicker-meter.

3.4.1.2 EUT OPERATING CONDITIONS

The EUT tested system was configured as the statements of 2.3 Unless otherwise a special operating condition is specified in the follows during the testing.

3.4.1.3 TEST SETUP



3.4.2 TEST RESULTS

EUT :	Battery Charger	Model Name :	VTE8000
Temperature :	25 °C	Relative Humidity :	45%
Pressure :	1010 hPa	Test Date :	2013-08-15
Test Mode :	Running		
Test Power :	AC 230V/50Hz		

	EUT values	Limit	Result
Pst	0.028	1.00	PASS
Plt	0.028	0.65	PASS
dc [%]	0.030	3.30	PASS
dmax [%]	0.317	4.00	PASS
dt [s]	0.000	0.50	PASS

4. EMC IMMUNITY TEST

4.1 STANDARD COMPLIANCE/SERVIRITY LEVEL/CRITERIA

Tests Standard No.	TEST SPECIFICATION	Test Mode Test Ports	Perform. Criteria
1. ESD IEC/EN 61000-4-2	8KV air discharge 4KV contact discharge	Direct Mode	B
	4KV HCP discharge 4KV VCP discharge	Indirect Mode	B
2. RS IEC/EN 61000-4-3	80 MHz to 1000 MHz, 1000Hz, 80%, AM modulated	Enclosure	A
3. EFT/Burst IEC/EN 61000-4-4	5/50ns Tr/Th 5KHz Repetition Freq.	Power Supply Port	B
	5/50ns Tr/Th 5KHz Repetition Freq.	CTL/Signal Data Line Port	B
4. Surges IEC/EN 61000-4-5	1.2/50(8/20) Tr/Th us	L-N	B
	1.2/50(8/20) Tr/Th us	L-PE N-PE	B
5 Injected Current IEC/EN 61000-4-6	0.15 MHz to 80 MHz, 1000Hz 80% , AM Modulated 150Ω source impedance	CTL/Signal Port	A
	0.15 MHz to 80 MHz, 1000Hz 80% , AM Modulated 150Ω source impedance	AC Power Port	A
	0.15 MHz to 80 MHz, 1000Hz 80% , AM Modulated 150Ω source impedance	DC Power Port	A
6. Power Frequency Magnetic Field IEC/EN 61000-4-8	50 Hz,	Enclosure	A
7. Volt. Interruptions Volt. Dips IEC/EN 61000-4-11	Voltage dip 0%	AC Power Port	C
	Voltage dip 30%		C
	Voltage dip 60%		C

4.2 GENERAL PERFORMANCE CRITERIA

According to **EN 55014-2** standard, the general performance criteria as following:

<p>Criterion A</p>	<p>The equipment shall continue to operate as intended without operator intervention. No degradation of performance or loss of function is allowed below a performance level specified by the manufacturer when the equipment is used as intended.</p> <p>The performance level may be replaced by a permissible loss of performance. If the minimum performance level or the permissible performance loss is not specified by the manufacturer, then either of these may be derived from the product description and documentation, and by what the user may reasonably expect from the equipment if used as intended.</p>
<p>Criterion B</p>	<p>After the test, the equipment shall continue to operate as intended without operator intervention. No degradation of performance or loss of function is allowed, after the application of the phenomena below a performance level specified by the manufacturer, when the equipment is used as intended.</p> <p>The performance level may be replaced by a permissible loss of performance. During the test, degradation of performance is allowed. However, no change of operating state or stored data is allowed to persist after the test.</p>
<p>Criterion C</p>	<p>Loss of function is allowed, provided the function is self-recoverable, or can be restored by the operation of the controls by the user in accordance with the manufacturer's instructions.</p> <p>Functions, and/or information stored in non-volatile memory, or protected by a battery backup, shall not be lost.</p>

4.3 GENERAL PERFORMANCE CRITERIA TEST SETUP

The EUT tested system was configured as the statements of **2.3** Unless otherwise a special operating condition is specified in the follows during the testing.

4.4 ESD TESTING

4.4.1 TEST SPECIFICATION

Basic Standard:	IEC/EN 61000-4-2
Discharge Impedance:	330 ohm / 150 pF
Required Performance	B
Discharge Voltage:	Air Discharge : 2kV/4kV/8kV (Direct) Contact Discharge : 2kV/4kV (Direct/Indirect)
Polarity:	Positive & Negative
Number of Discharge:	Air Discharge: min. 20 times at each test point Contact Discharge: min. 20 at each test point
Discharge Mode:	Single Discharge
Discharge Period:	1 second minimum

4.4.2 TEST PROCEDURE

The test generator necessary to perform direct and indirect application of discharges to the EUT in the following manner:

- a. Contact discharge was applied to conductive surfaces and coupling planes of the EUT.

During the test, it was performed with single discharges. For the single discharge time between successive single discharges was at least 1 second. The EUT shall be exposed to at least 200 discharges, 100 each at negative and positive polarity, at a minimum of four test points. One of the test points shall be subjected to at least 50 indirect discharges to the center of the front edge of the horizontal coupling plane. The remaining three test points shall each receive at least 50 direct contact discharges.

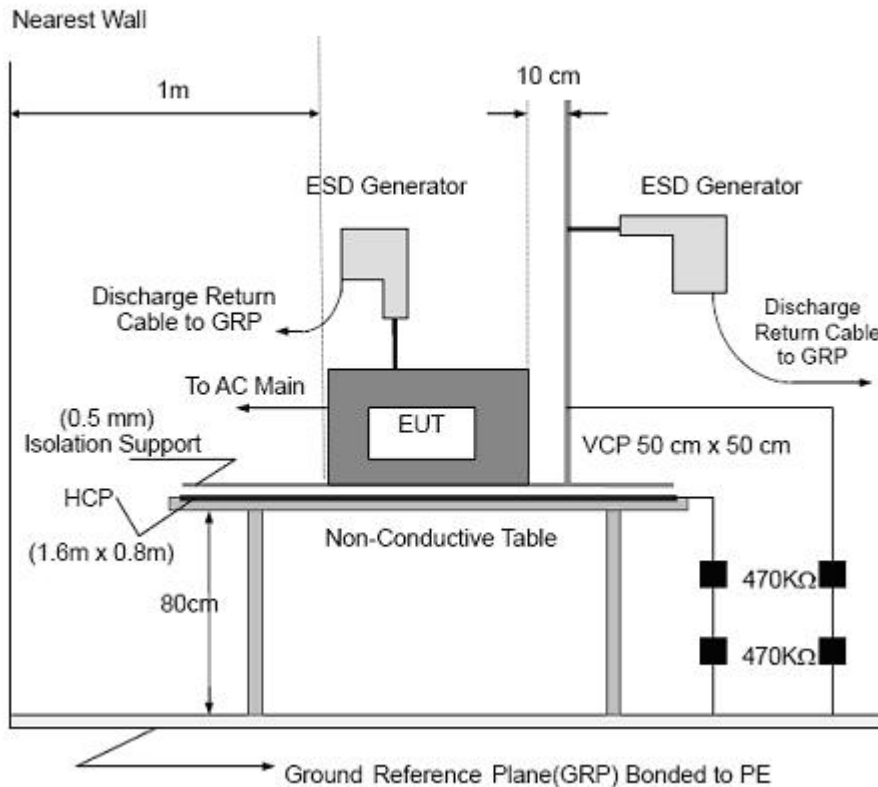
If no direct contact test points are available, then at least 200 indirect discharges shall be applied in the indirect mode. Test shall be performed at a maximum repetition rate of one discharge per second.

Vertical Coupling Plane (VCP):
The coupling plane, of dimensions 0.5m x 0.5m, is placed parallel to, and positioned at a distance 0.1m from, the EUT, with the Discharge Electrode touching the coupling plane. The four faces of the EUT will be performed with electrostatic discharge.

Horizontal Coupling Plane (HCP):
The coupling plane is placed under to the EUT. The generator shall be positioned vertically at a distance of 0.1m from the EUT, with the Discharge Electrode touching the coupling plane. The four faces of the EUT will be performed with electrostatic discharge.
- b. Air discharges at insulation surfaces of the EUT.

It was at least ten single discharges with positive and negative at the same selected point.

4.4.3 TEST SETUP



Note:

TABLE-TOP EQUIPMENT

The configuration consisted of a wooden table 0.8 meters high standing on the Ground Reference Plane. The GRP consisted of a sheet of aluminum at least 0.25mm thick, and 2.5 meters square connected to the protective grounding system. A Horizontal Coupling Plane (1.6m x 0.8m) was placed on the table and attached to the GRP by means of a cable with 940k total impedance. The equipment under test, was installed in a representative system as described in section 7 of IEC /EN 61000-4-2, and its cables were placed on the HCP and isolated by an insulating support of 0.5mm thickness. A distance of 1-meter minimum was provided between the EUT and the walls of the laboratory and any other metallic structure.

FLOOR-STANDING EQUIPMENT

The equipment under test was installed in a representative system as described in section 7 of IEC/EN 61000-4-2, and its cables were isolated from the Ground Reference Plane by an insulating support of 0.1-meter thickness. The GRP consisted of a sheet of aluminum that is at least 0.25mm thick, and 2.5meters square connected to the protective grounding system and extended at least 0.5 meters from the EUT on all sides.

4.4.4 TEST RESULTS

EUT :	Battery Charger	Model Name :	VTE8000
Temperature :	25 °C	Relative Humidity :	45%
Pressure :	1010 hPa	Test Date :	2013-08-16
Test Mode :	Running		
Test Power :	AC 230V/50Hz		

Mode	Air Discharge								Contact Discharge								Criterion	Result
	4		8		10		15		2		4		6		8			
Test level (kV)																		
Test Location	+	-	+	-	+	-	+	-	+	-	+	-	+	-	+	-		
HCP									A	A	A	A					B	PASS
VCP									A	A	A	A						PASS
A1	A	A	A	A														PASS
A2	A	A	A	A														PASS
A3	A	A	A	A														PASS

Note:

- 1) +/- denotes the Positive/Negative polarity of the output voltage.
- 2) Test condition:
Direct / Indirect (HCP/VCP) discharges: Minimum 50 times (Positive/Negative) at each point. Air discharges: Minimum 10 times (Positive/Negative) at each point.
- 3) Test location(s) in which discharge (Air and contact discharge) to be applied illustrated by photos shown in next page(s)
- 4) The Indirect (HCP/VCP) discharges description of test point as following:
1.left side 2.right side 3.front side 4.rear side
- 5) N/A - denotes test is not applicable in this test report

4.5 RS TESTING

4.5.1 TEST SPECIFICATION

Basic Standard:	IEC/EN 61000-4-3
Required Performance	A
Frequency Range:	80 MHz - 1000 MHz
Field Strength:	3 V/m
Modulation:	1kHz Sine Wave, 80%, AM Modulation
Frequency Step:	1 % of fundamental
Polarity of Antenna:	Horizontal and Vertical
Test Distance:	3 m
Antenna Height:	1.5 m
Dwell Time:	at least 3 seconds

4.5.2 TEST PROCEDURE

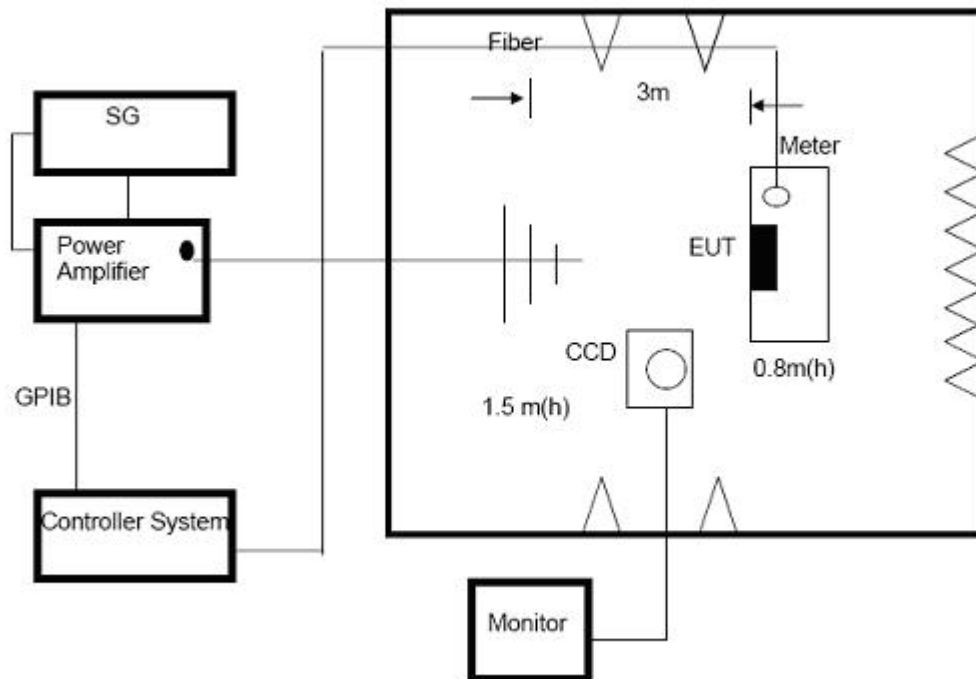
The EUT and support equipment, which are placed on a table that is 0.8 meter above ground and the testing was performed in a fully-anechoic chamber.

The testing distance from antenna to the EUT was 3 meters.

The other condition as following manner:

- a. The frequency range is swept from 80 MHz to 1000 MHz, & 1400MHz - 2700MHz with the signal 80%amplitude modulated with a 1kHz sine wave. The rate of sweep did not exceed 1.5x 10⁻³ decade/s. Where the frequency range is swept incrementally, the step size was 1% of fundamental.
- b. Sweep Frequency 900 MHz, with the Duty Cycle:1/8 and Modulation: Pulse 217 Hz(if applicable)
- c. The dwell time at each frequency shall be not less than the time necessary for the EUT to be able to respond.
- d. The test was performed with the EUT exposed to both vertically and horizontally polarized fields on each of the four sides.

4.5.3 TEST SETU



Note:

TABLE-TOP EQUIPMENT

The EUT installed in a representative system as described in section 7 of IEC/EN 61000-4-3 was placed on a non-conductive table 0.8 meters in height. The system under test was connected to the power and signal wire according to relevant installation instructions.

FLOOR-STANDING EQUIPMENT

The EUT installed in a representative system as described in section 7 of IEC/EN 61000-4-3 was placed on a non-conductive wood support 0.1 meters in height. The system under test was connected to the power and signal wire according to relevant installation instructions.

4.5.4 TEST RESULTS

EUT :	Battery Charger	Model Name :	VTE8000
Temperature :	25 °C	Relative Humidity :	60%
Pressure :	1010 hPa	Test Date :	2013-08-16
Test Mode :	Running		
Test Power :	AC 230V/50Hz		

Frequency Range (MHz)	RF Field Position	R.F. Field Strength	Azimuth	Perform. Criteria	Results	Judgment
80MHz - 1000MHz	H / V	3 V/m (rms) AM Modulated 1000Hz, 80%	Front	A	A	PASS
			Rear			
			Left			
			Right			

Note:

- 1) N/A - denotes test is not applicable in this test report.
- 2) Criteria A: There was no change operated with initial operating during the test.
- 3) Criteria B: The EUT function loss during the test, but self-recoverable after the test.
- 4) Criteria C: The system shut down during the test.

4.6 EFT/BURST TESTING

4.6.1 TEST SPECIFICATION

Basic Standard:	IEC/EN 61000-4-4
Required Performance	B
Test Voltage:	Power Line : 1 kV Signal/Control Line : 0.5 KV
Polarity:	Positive & Negative
Impulse Frequency:	5 kHz
Impulse Wave shape :	5/50 ns
Burst Duration:	15 ms
Burst Period:	300 ms
Test Duration:	Not less than 1 min.

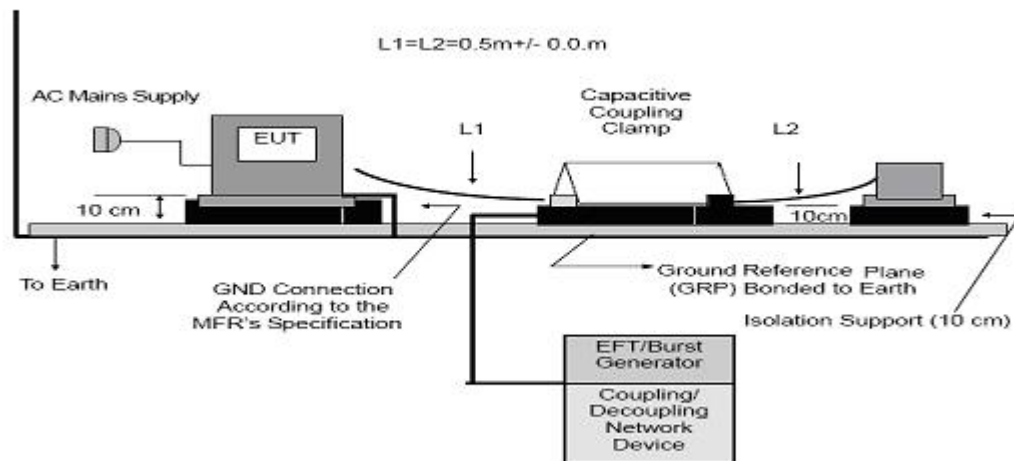
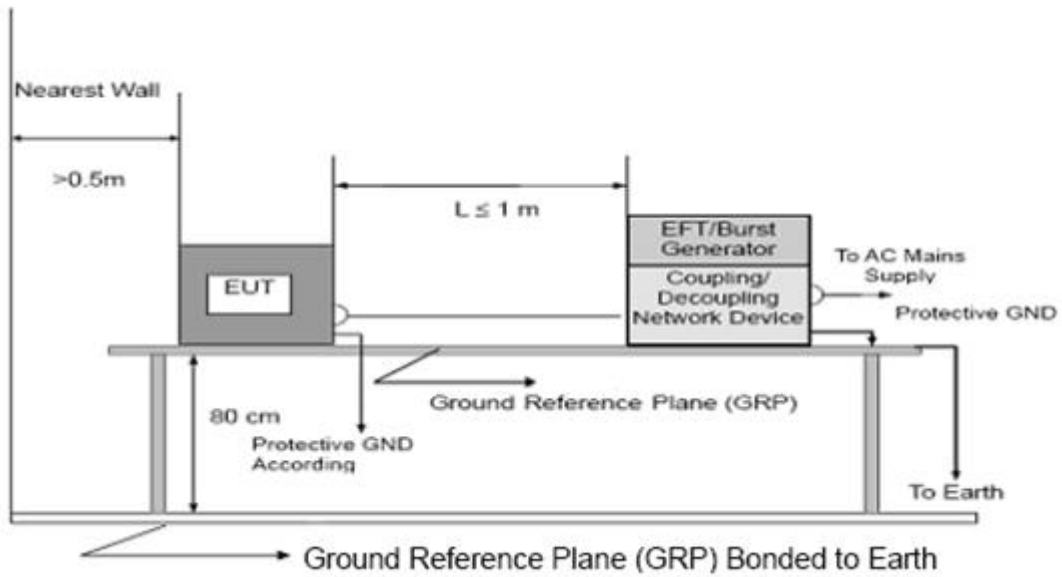
4.6.2 TEST PROCEDURE

The EUT and support equipment, are placed on a table that is 0.8 meter above a metal ground plane measured 1m*1m min. and 0.65mm thick min.

The other condition as following manner:

- a. The length of power cord between the coupling device and the EUT should not exceed 1 meter.
- b. Both positive and negative polarity discharges were applied.
- c. The duration time of each test sequential was 1 minute

4.6.3 TEST SETUP



Note:

TABLE-TOP EQUIPMENT

The configuration consisted of a wooden table (0.8m high) standing on the Ground Reference Plane. The GRP consisted of a sheet of aluminum (at least 0.25mm thick and 2.5m square) connected to the protective grounding system. A minimum distance of 0.5m was provided between the EUT and the walls of the laboratory or any other metallic structure.

FLOOR-STANDING EQUIPMENT

The EUT installed in a representative system as described in section 7 of IEC/EN 61000-4-4 and its cables, were isolated from the Ground Reference Plane by an insulating support that is 0.1-meter thick. The GRP consisted of a sheet of aluminum (at least 0.25mm thick and 2.5m square) connected to the protective grounding system.

4.6.4 TEST RESULTS

EUT :	Battery Charger	Model Name :	VTE8000
Temperature :	25 °C	Relative Humidity :	60%
Pressure :	1010 hPa	Test Date :	2013-08-16
Test Mode :	Running		
Test Power :	AC 230V/50Hz		

Coupling Line		Test level (kV)								Criterion	Result
		0.5		1		2		4			
		+	-	+	-	+	-	+	-		
AC line	L	A	A	A	A					B	PASS
	N	A	A	A	A						PASS
	PE										
	L+N	A	A	A	A						PASS
	L+PE										
	N+PE										
	L+N+PE										
DC Line											
Signal Line											

Note:

- 1) +/- denotes the Positive/Negative polarity of the output voltage.
- 2) N/A - denotes test is not applicable in this test report
- 3) Criteria A: There was no change operated with initial operating during the test.
- 4) Criteria B: The EUT function loss during the test, but self-recoverable after the test.
- 5) Criteria C: The system shut down during the test.

4.7 SURGE TESTING

4.7.1 TEST SPECIFICATION

Basic Standard:	IEC/EN 61000-4-5
Required Performance	B
Wave-Shape:	Combination Wave 1.2/50 us Open Circuit Voltage 8 /20 us Short Circuit Current
Test Voltage:	Power Line : 0.5 kV, 1 kV, 2 kV
Surge Input/Output:	L-N, L-PE, N-PE
Generator Source:	2 ohm between networks
Impedance:	12 ohm between network and ground
Polarity:	Positive/Negative
Phase Angle:	0 /90/180/270°
Pulse Repetition Rate:	1 time / min. (maximum)
Number of Tests:	5 positive and 5 negative at selected points

4.7.2 TEST PROCEDURE

a. For EUT power supply:

The surge is to be applied to the EUT power supply terminals via the capacitive coupling network. Decoupling networks are required in order to avoid possible adverse effects on equipment not under test that may be powered by the same lines, and to provide sufficient decoupling impedance to the surge wave. The power cord between the EUT and the coupling/decoupling networks shall be 2meters in length (or shorter).

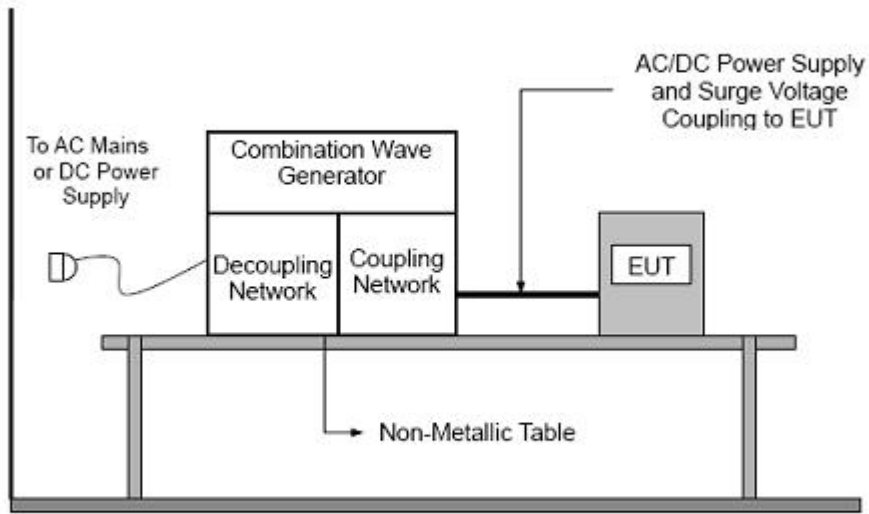
b. For test applied to unshielded unsymmetrically operated interconnection lines of EUT:

The surge is applied to the lines via the capacitive coupling. The coupling /decoupling networks shall not influence the specified functional conditions of the EUT. The interconnection line between the EUT and the coupling/decoupling networks shall be 2 meters in length (or shorter).

c. For test applied to unshielded symmetrically operated interconnection /telecommunication lines of EUT:

d. The surge is applied to the lines via gas arrestors coupling. Test levels below the ignition point of the coupling arrestor cannot be specified. The interconnection line between the EUT and the coupling/decoupling networks shall be 2 meters in length (or shorter).

4.7.3 TEST SETUP



4.7.4 TEST RESULTS

EUT :	Battery Charger	Model Name :	VTE8000
Temperature :	25 °C	Relative Humidity :	60%
Pressure :	1010 hPa	Test Date :	2013-08-16
Test Mode :	Running		
Test Power :	AC 230V/50Hz		

Coupling Line			Test level								Criterion	Result
			0.5 kV		1 kV		2 kV		4 kV			
			+	-	+	-	+	-	+	-		
AC line	L-N	0°	A	A	B	B					B	PASS
		90°	A	A	B	B						
		180°	A	A	B	B						
		270°	A	A	B	B						
	L-PE	0°										
		90°										
		180°										
		270°										
	N-PE	0°										
		90°										
		180°										
		270°										
DC Line												
Signal Line												

Note:

- 1) Polarity and Numbers of Impulses : 5 Pst / Ngst at each tested mode
- 2) N/A - denotes test is not applicable in this Test Report
- 3) Criteria A: There was no change operated with initial operating during the test.
- 4) Criteria B: The EUT function loss during the test, but self-recoverable after the test.
- 5) Criteria C: The system shut down during the test.

4.8 INJECTION CURRENT TESTING

4.8.1 TEST SPECIFICATION

Basic Standard:	IEC/EN 61000-4-6
Required Performance	A
Frequency Range:	0.15 MHz - 80 MHz
Field Strength:	3 Vr.m.s.
Modulation:	1kHz Sine Wave, 80%, AM Modulation
Frequency Step:	1 % of fundamental
Dwell Time:	at least 3 seconds

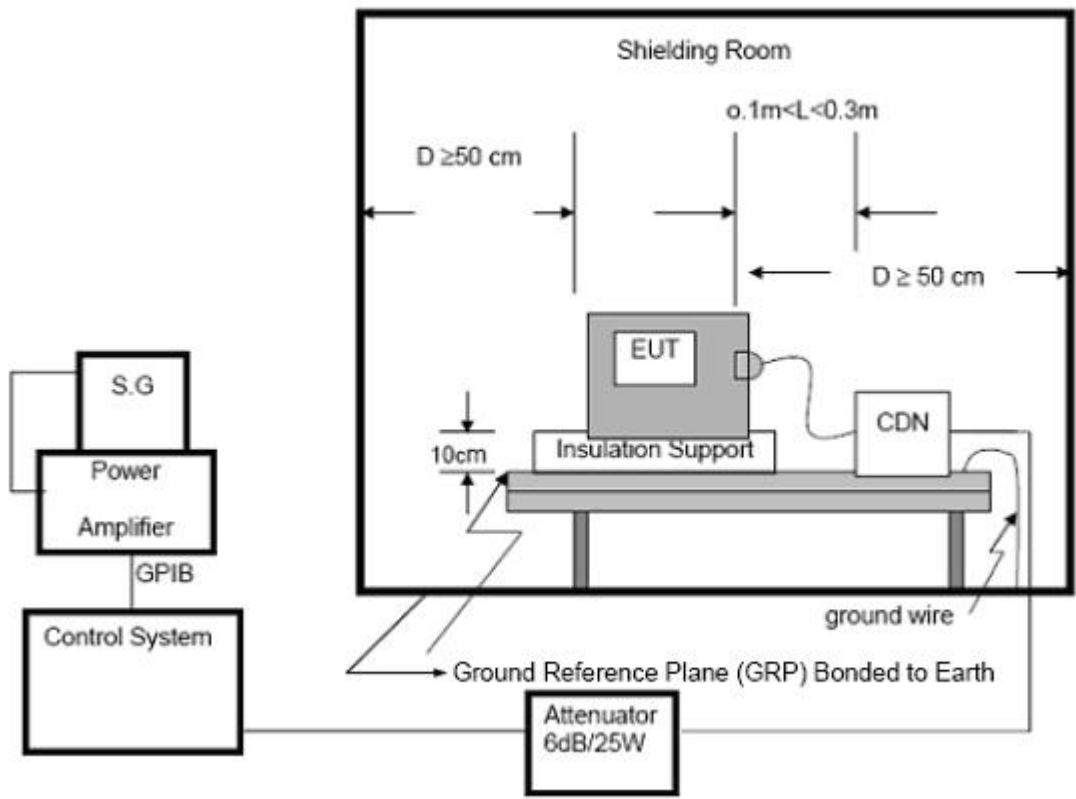
4.8.2 TEST PROCEDURE

The EUT and support equipment, are placed on a table that is 0.8 meter above a metal ground plane measured 1m*1m min. and 0.65mm thick min.

The other condition as following manner:

- a. The frequency range is swept from 150 KHz to 80 MHz, with the signal 80%amplitude modulated with a 1kHz sine wave. The rate of sweep did not exceed 1.5×10^{-3} decade/s. Where the frequency range is swept incrementally, the step size was 1% of fundamental.
- b. The dwell time at each frequency shall be not less than the time necessary for the EUT to be able to respond.

4.8.3 TEST SETUP



NOTE:

FLOOR-STANDING EQUIPMENT

The equipment to be tested is placed on an insulating support of 0.1 meters height above a ground reference plane. All relevant cables shall be provided with the appropriate coupling and decoupling devices at a distance between 0.1 meters and 0.3 meters from the projected geometry of the EUT on the ground reference plane.

4.8.4 TEST RESULTS

EUT :	Battery Charger	Model Name :	VTE8000
Temperature :	25 °C	Relative Humidity :	60%
Pressure :	1010 hPa	Test Date :	2013-08-16
Test Mode :	Running		
Test Power :	AC 230V/50Hz		

Test Ports (Mode)	Freq. Range (MHz)	Field Strength	Perform. Criteria	Results	Judgment
Input/ Output AC. Power Port	0.15 ---80	3V(rms) AM Modulated 1000Hz, 80%	A	A	PASS
Input/ Output DC. Power Port	0.15 --- 80		A	N/A	N/A
Signal Line	0.15 --- 80		A	N/A	N/A

Note:

- 1) N/A - denotes test is not applicable in this Test Report.
- 2) Criteria A: There was no change operated with initial operating during the test.
- 3) Criteria B: The EUT function loss during the test, but self-recoverable after the test.
- 4) Criteria C: The system shut down during the test.

4.9 POWER FREQUENCY MAGNETIC FIELD TESTING

4.9.1 TEST SPECIFICATION

Basic Standard:	IEC/EN 61000-4-8
Required Performance	A
Frequency Range:	50Hz
Field Strength:	1 A/m
Observation Time:	1 minute
Inductance Coil:	Rectangular type, 1mx1m

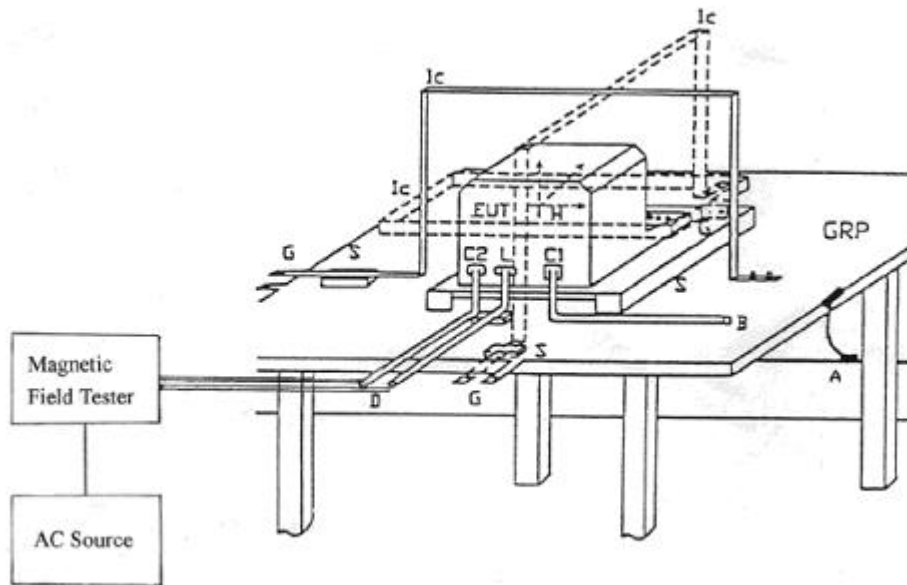
4.9.2 TEST PROCEDURE

The EUT and support equipment, are placed on a table that is 0.8 meter above a metal ground plane measured 1m*1m min. and 0.65mm thick min.

The other condition as following manner:

- a. The equipment cabinets shall be connected to the safety earth directly on the GRP via the earth terminal of the EUT.
- b. The cables supplied or recommended by the equipment manufacturer shall be used. 1 meter of all cables used shall be exposed to the magnetic field.

4.9.3 TEST SETUP



Note:

TABLE-TOP EQUIPMENT

The equipment shall be subjected to the test magnetic field by using the induction coil of standard dimension (1 m x 1 m). The induction coil shall then be rotated by 90 degrees in order to expose the EUT to the test field with different orientations.

FLOOR-STANDING EQUIPMENT

The equipment shall be subjected to the test magnetic field by using induction coils of suitable dimensions. The test shall be repeated by moving and shifting the induction coils, in order to test the whole volume of the EUT for each orthogonal direction. The test shall be repeated with the coil shifted to different positions along the side of the EUT, in steps corresponding to 50 % of the shortest side of the coil. The induction coil shall then be rotated by 90 degrees in order to expose the EUT to the test field with different orientations.

4.9.4 TEST RESULTS

EUT :	Battery Charger	Model Name :	VTE8000
Temperature :	25 °C	Relative Humidity :	60%
Pressure :	1010 hPa	Test Date :	2013-08-16
Test Mode :	Running		
Test Power :	AC 230V/50Hz		

Test Mode	Test Level	Antenna aspect	Duration (minute)	Perform Criteria	Results	Judgment
Enclosure	3 A/m	X	5	A	A	Pass
Enclosure	3 A/m	Y	5	A	A	Pass
Enclosure	3 A/m	Z	5	A	A	Pass

Note:

- 1) N/A - denotes test is not applicable in this test report
- 2) Criteria A: There was no change operated with initial operating during the test.
- 3) Criteria B: The EUT function loss during the test, but self-recoverable after the test.
- 4) Criteria C: The system shut down during the test.

4.10 VOLTAGE INTERRUPTION/DIPS TESTING

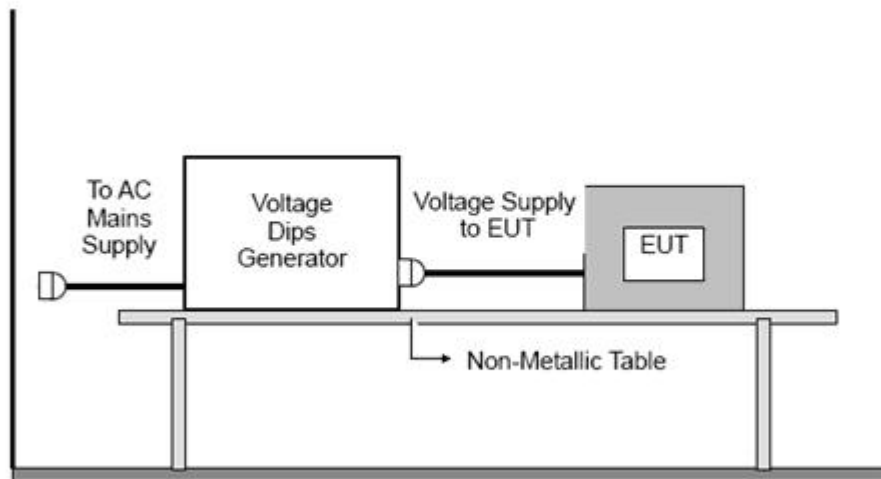
4.10.1 TEST SPECIFICATION

Basic Standard:	IEC/EN 61000-4-11
Required Performance	C (For 0% Voltage Dips) C (For 30% Voltage Dips) C (For 60% Voltage Dips)
Test Duration Time:	Minimum three test events in sequence
Interval between Event:	Minimum ten seconds
Phase Angle:	0°/45°/90°/135°/180°/225°/270°/315°/360°
Test Cycle:	3 times

4.10.2 TEST PROCEDURE

The EUT shall be tested for each selected combination of test levels and duration with a sequence of three dips/interruptions with intervals of 10 s minimum (between each test event). Each representative mode of operation shall be tested. Abrupt changes in supply voltage shall occur at zero crossings of the voltage waveform.

4.10.3 TEST SETUP



4.10.4 TEST RESULTS

EUT :	Battery Charger	Model Name :	VTE8000
Temperature :	25 °C	Relative Humidity :	60%
Pressure :	1010 hPa	Test Date :	2013-08-16
Test Mode :	Running		
Test Power :	AC 230V/50Hz		

Interruption & Dips	Duration (T)	Perform Criteria	Results	Judgment
Voltage dip 0%	0.5	C	B	PASS
Voltage dip 40%	10	C	B	PASS
Voltage dip 70%	25	C	B	PASS

Note:

- 1). N/A - denotes test is not applicable in this test report.
- 2) Criteria A: There was no change operated with initial operating during the test.
- 3) Criteria B: The EUT function loss during the test, but self-recoverable after the test.
- 4) Criteria C: The system shut down during the test.

5. EUT TEST PHOTO

Conducted Measurement Photos



Clamp Measurement Photos



ATTACHMENT PHOTOGRAPHS OF EUT



Fig. 1



Fig. 2

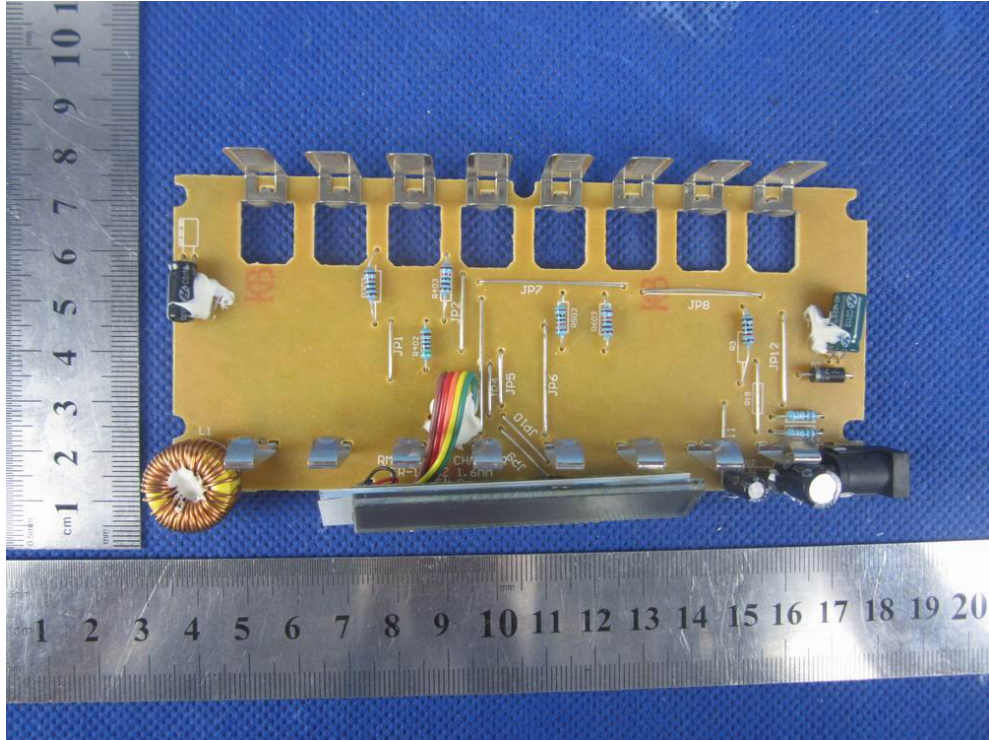


Fig. 3

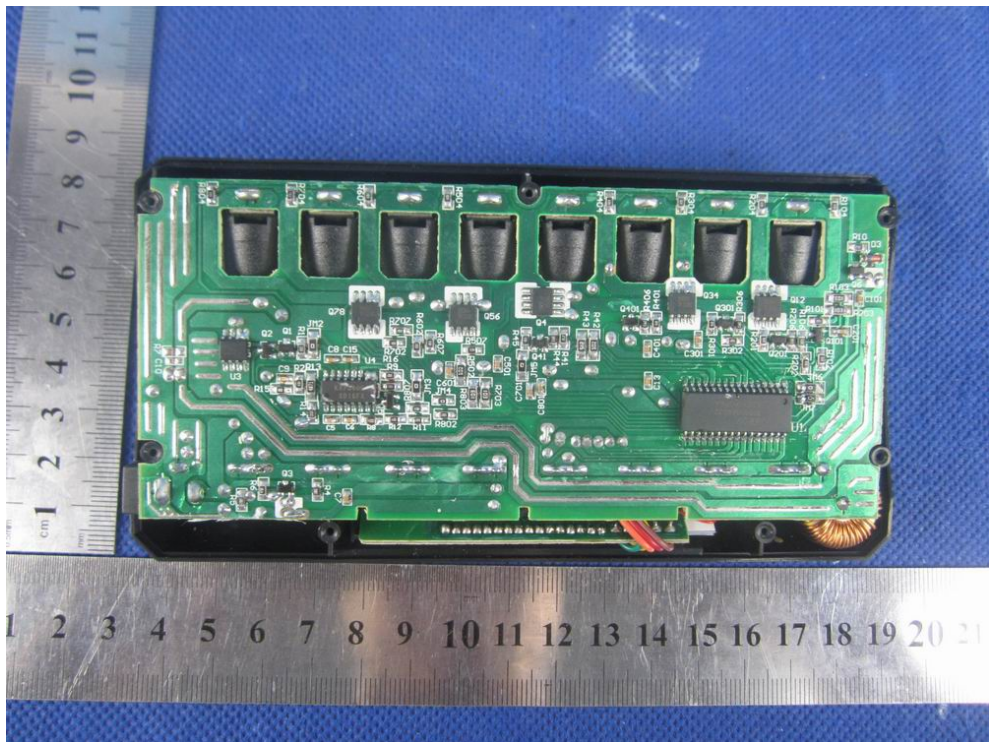


Fig. 4