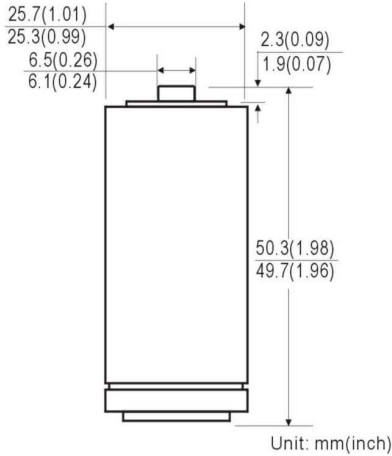


PLUS ALKALINE BATTERY

LR14



Chemical System : Primary Alkaline
Zinc-Manganese Dioxide (Zn/MnO₂)

Camelion Model : LR14

IEC No. : LR14

ANSI/NEDA No. : 14A (C)

Average Weight : 66.3g

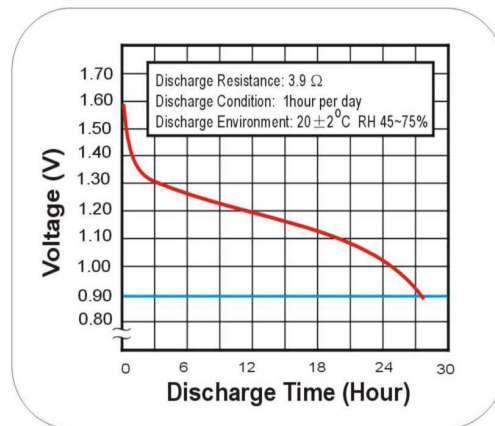
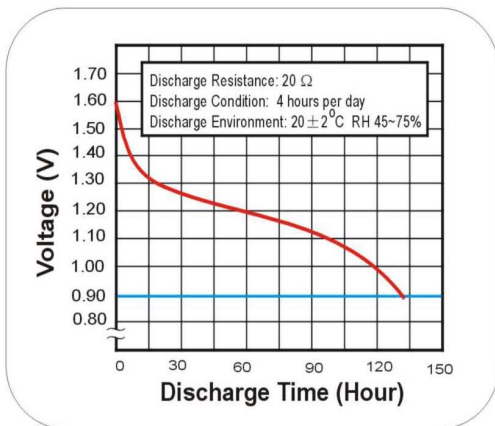
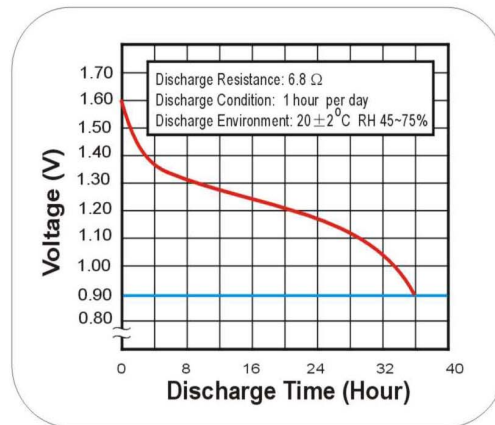
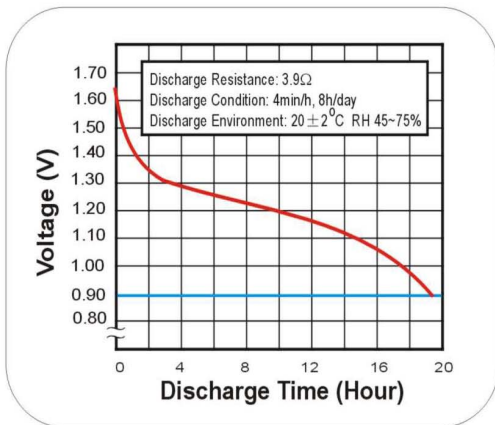
Dimension (∅ x H) : 25.5^{±0.2} x 50.0^{±0.3} mm
1.00^{±0.01} x 1.97^{±0.01} inch

Terminals : Flat

Nominal Voltage : 1.5Volts

Average Capacity : 8450 mAh to 0.8 volts
(20 ± 2°C, Rated capacity at 25 mA continuous drain)

Jacket : Aluminum Foil Label



Notice:

Environmental elements comply with ROHS requirements. This information is subject to change without prior notice and for reference only. It should not be used as a product guarantee or warranty. For additional information, please contact with Vapex Technology Limited.