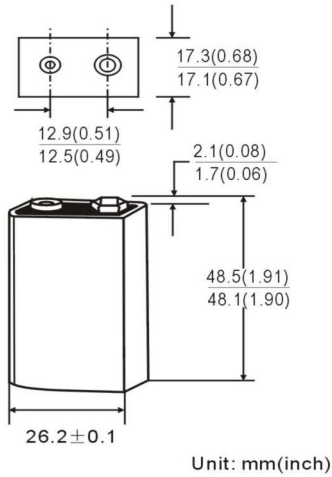
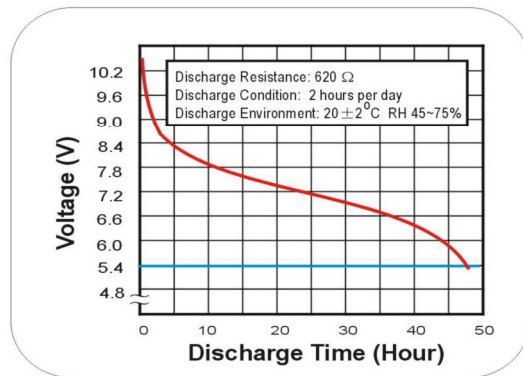
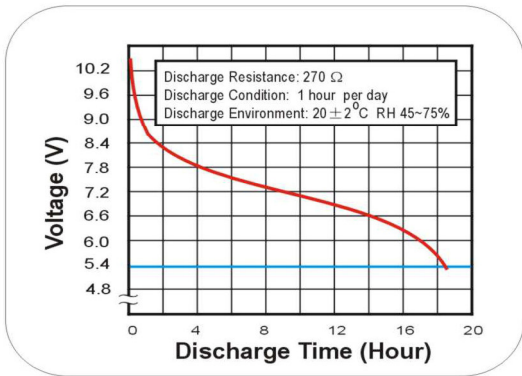
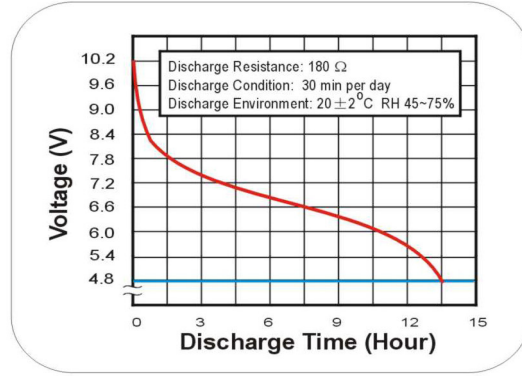
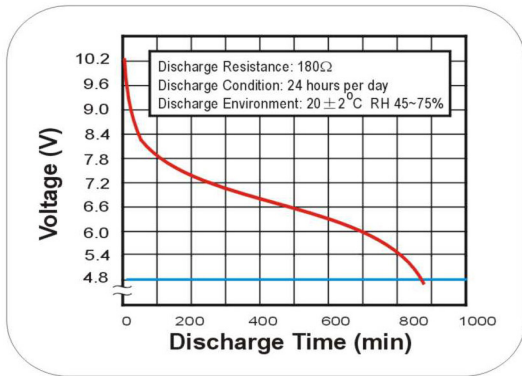


**PLUS ALKALINE BATTERY**

**6LF22**



**Chemical System :** Alkaline  
 Zinc-Manganese Dioxide (Zn/MnO<sub>2</sub>)  
**Camelion Model :** 6LF22  
**IEC No. :** 6LR61  
**ANSI/NEDA No. :** 1604A(9V)  
**Average Weight :** 45.3g  
**Dimension(LxWxH) :** 26.2<sup>±0.1</sup> x 17.2<sup>±0.1</sup> x 48.3<sup>±0.2</sup> mm  
 1.03<sup>±0.004</sup> x 0.69<sup>±0.004</sup> x 1.90<sup>±0.008</sup> inch  
**Terminals :** Minature Snap  
**Nominal Voltage :** 9.0Volts  
**Average Capacity :** 700 mAh to 4.8 volts  
 (20±2°C, Rated capacity at 25 mA continuous drain)  
**Jacket :** Aluminum Foil Label



**Notice:**

Environmental elements comply with ROHS requirements. This information is subject to change without prior notice and for reference only. It should not be used as a product guarantee or warranty. For additional information, please contact with Vapex Technology Limited.